

Operation, Repair, Parts



SaniSpray HP™ 65 Portable Hopper Sprayer

3A7653C

EN

For portable spraying of water-based disinfectants approved for spray application only. Not for applying architectural paints and coatings. Not approved for use in explosive atmospheres or hazardous (classified) locations. For professional use only.



Important Safety Instructions

Read all warnings and instructions in this manual, related manuals, and on the unit including the power cord. Be familiar with the controls and the proper usage of the equipment. Save these instructions.



Important Medical Information

Read the medical alert card provided with the sprayer. It contains injection injury treatment information for a doctor. Keep it with you when operating the equipment.

 WARNING	
   	CHEMICAL HAZARD To prevent serious injury: <ul style="list-style-type: none">• Follow all directions and requirements on disinfectant label. It is a violation of Federal law to use an EPA-approved disinfectant in a manner inconsistent with its labeling.• Flush after each use. Never store disinfectant in equipment.• Use only with appropriate personal protective equipment.



638164a






*Use only genuine Graco replacement parts.
The use of non-Graco replacement parts may void warranty.*

PROVEN QUALITY. LEADING TECHNOLOGY.

Contents

Models	3
Important User Information	4
Warnings	5
Know Your Sprayer	9
Grounding	10
Power Requirements	10
Extension Cords	10
Pails	10
Setup	11
Start Up	12
Pressure Relief Procedure	12
Flushing a New Sprayer	14
Fill Pump	15
Fill Spray Gun and Airless Hose	15
How to Spray	17
Choose Your Spray Tip	17
Starting Your Spray and Adjusting Pressure	18
Clear Tip Clog	18
Cleanup	19
Clean the Gun	20
Storage	21
Quick Reference	22
Maintenance	23
Airless Hoses	23
Spray Tips	23
Pump Repair	23
Pump Removal	23
Pump Installation	24
Inlet Valve Removal	25
Recycling and Disposal	25
End of Product Life	25
Troubleshooting	26
Notes	29
Parts	30
Parts List	30
Accessories and Labels	31
Wiring Diagrams	32
100-120V	32
220-240V	32
Technical Specifications	33
California Proposition 65	33
Graco Warranty	34
Graco Information	35

Models

	VAC	Model
 Intertek 110474 Certified to CAN/CSA C22.2 No. 68 Conforms to UL 1450	120 USA	25R792
	230 CEE 7/7	25R946
	230 Europe Multi	25R948
	240 AP Multi	25R954
	100 JP/TW	25R962

Maximum Working Pressure: 1000 psi (6.9 MPa, 69 bar)

Important User Information



Before using your disinfectant sprayer, read this manual for complete instructions on proper use and safety warnings.



You must also read and follow the information on the disinfectant container label and ask for a Safety Data Sheet (SDS) from your supplier. The container label and SDS will explain the contents of the material, instructions for use and the specific precautions related to the contents of the material. Those precautions include personal protective equipment (PPE).



The sprayer is designed to spray disinfectants that are water-based and clean up with water.



KNOW YOUR DISINFECTANT'S ACTIVE INGREDIENTS

For the purpose of safely using this sprayer, you need to know what kind of **active ingredients** are in the disinfectant. Look on the container label for the list of active ingredients. There are two categories:



ALCOHOL: This type of disinfectant contains flammable active ingredients such as ethanol (ethyl alcohol) or isopropanol (IPA). The container label should indicate that this material is **COMBUSTIBLE** or **FLAMMABLE**. Your sprayer is compatible with this type of material. Use flammable materials in a well-ventilated area with a flow of fresh air. See the safety warnings in this manual.



NON-ALCOHOL: This type of disinfectant contains active ingredients such as aldehydes, phenols, quaternary ammonium compounds, sodium hypochlorite (bleach), peroxyacetic acid, hydrogen peroxide, and hypochlorous acid. Your sprayer is compatible with this type of material.

Warnings

The following warnings are for the setup, use, grounding, maintenance, and repair of this equipment. The exclamation point symbol alerts you to a general warning and the hazard symbols refer to procedure-specific risks. When these symbols appear in the body of this manual or on warning labels, refer back to these Warnings. Product-specific hazard symbols and warnings not covered in this section may appear throughout the body of this manual where applicable.

WARNING



CHEMICAL HAZARD

Toxic disinfectant or fumes can cause serious injury or death if splashed in the eyes or on skin, inhaled, or swallowed.



- Keep away from children.
- Use only to spray surfaces. Do not spray humans or animals.
- Use only with appropriate personal protective equipment. See **PERSONAL PROTECTIVE EQUIPMENT**, page 7.
- Follow all directions and requirements on disinfectant label. It is a violation of Federal law to use an EPA-approved disinfectant in a manner inconsistent with its labeling.
- Flush with water after each use. Never store disinfectant in equipment.
- Read Safety Data Sheets (SDSs) to know the specific hazards of the disinfectants you are using.
- Store and dispose of disinfectants according to instructions on disinfectant container labels.



SKIN INJECTION HAZARD

High-pressure spray is able to inject toxins into the body and cause serious bodily injury that can result in amputation. In the event that injection occurs, **get immediate surgical treatment**.



- Use only to spray surfaces. Do not spray humans or animals.
- Do not point spray tip at anyone or place any part of your body in front of tip. For example, do not try to stop leaks with any part of the body.
- Always use the spray tip guard. Do not spray without spray tip guard in place. Use only Graco spray tips.
- Use caution when cleaning and changing spray tips. In the case where the spray tip clogs while spraying, follow the **Pressure Relief Procedure**, page 12, for relieving the pressure before removing the spray tip to clean.
- Equipment maintains pressure after power is shut off. Do not leave the equipment energized or under pressure while unattended. Unplug the sprayer and follow the **Pressure Relief Procedure**, page 12, when the equipment is unattended or not in use, and before servicing, cleaning, or removing parts.
- Check hoses and parts for signs of damage. Replace any damaged hoses or parts.
- This system is capable of producing 1000 psi (69 bar, 6.9 MPa). Use Graco parts or accessories that are rated a minimum of 1000 psi (69 bar, 6.9MPa).
- Always engage the trigger lock when not spraying. Verify the trigger lock is functioning properly.
- Verify that all connections are secure before operating the unit.
- Know how to stop the unit and bleed pressure quickly. Be thoroughly familiar with the controls.

WARNING



FIRE AND EXPLOSION HAZARD

Flammable fumes, such as disinfectants, in work area can ignite or explode. To help prevent fire and explosion:



- Do not spray flammable disinfectants near an open flame or sources of ignition such as cigarettes, motors, and electrical equipment.



- Disinfectants flowing through the equipment are able to result in static electricity. Static electricity creates a risk of fire or explosion in the presence of disinfectant fumes. All parts of the spray system, including the pump, hose assembly, spray gun, and objects in and around the spray area shall be properly grounded to protect against static discharge and sparks. Use Graco conductive or grounded high-pressure airless sprayer hoses.



- Verify that all containers and collection systems are grounded to prevent static discharge. Do not use pail liners unless they are anti-static or conductive.
- Connect to a grounded outlet and use grounded extensions cords. Do not use a 3-to-2 adapter.
- Keep spray area well-ventilated. Keep a good supply of fresh air moving through the area.
- Sprayer generates sparks. Keep pump assembly in a well ventilated area a least 20 feet (6.1 m) from the spray area when spraying, flushing, cleaning, or servicing. Do not spray pump assembly.
- Do not smoke in the spray area or spray where sparks or flame is present.
- Do not operate light switches, engines, or similar spark producing products in the spray area.
- Keep area clean and free of disinfectant containers, rags, and other flammable materials.
- Know the contents of the disinfectants being sprayed. Read all Safety Data Sheet (SDS) and container labels provided with the disinfectants. Follow the disinfectant manufacturer's safety instructions.
- Keep a working fire extinguisher in the work area.



EQUIPMENT MISUSE HAZARD

Misuse can cause death or serious injury.



- Do not operate or spray near children. Keep children away from equipment at all times.
- Do not overreach or stand on an unstable support. Keep effective footing and balance at all times.
- Stay alert and watch what you are doing.
- Do not operate the unit when fatigued or under the influence of drugs or alcohol.
- Do not kink or over-bend the hose.
- Do not expose the hose to temperatures or to pressures in excess of those specified by Graco.
- Do not use the hose as a strength member to pull or lift the equipment.
- Do not spray with a hose shorter than 25 feet.
- Do not alter or modify equipment. Alterations or modifications may void agency approvals and create safety hazards.
- Make sure all equipment is rated and approved for the environment in which you are using it.

WARNING



ELECTRIC SHOCK HAZARD

This equipment must be grounded. Improper grounding, setup, or usage of the system can cause electric shock.



- Turn off and disconnect power cord before servicing equipment.
- Connect only to grounded electrical outlets.
- Use only 3-wire extension cords.
- Ensure ground prongs are intact on power and extension cords.
- Do not get wet or expose to rain. Store indoors.
- Wait five minutes after disconnecting power cord before servicing.



MOVING PARTS HAZARD

Moving parts can pinch, cut, or amputate fingers and other body parts.



- Keep clear of moving parts.
- Do not operate equipment with protective guards or covers removed.
- Pressurized equipment can start without warning. Before checking, moving, or servicing equipment, follow the **Pressure Relief Procedure** and disconnect all power sources.



PERSONAL PROTECTIVE EQUIPMENT

Wear appropriate protective equipment when in the work area to help prevent serious injury, including eye injury, burns, hearing loss, and inhalation of disinfectant chemical mists and vapors. Protective equipment includes but is not limited to:

- Protective eye-wear, and hearing protection.
- Appropriate respirators, protective clothing, and gloves.
- All protective equipment specified by the disinfectant manufacturer.

WARNING

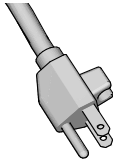


GROUNDING

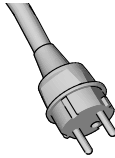
This product must be grounded. In the event of an electrical short circuit, grounding reduces the risk of electric shock by providing an escape wire for the electric current. This product is equipped with a cord having a grounding wire with an appropriate grounding plug. The plug must be plugged into an outlet that is properly installed and grounded in accordance with all local codes and regulations.

- Improper installation of the grounding plug is able to result in a risk of electric shock.
- This product is for use on a nominal 120V or 230V circuit and has a grounding plug similar to the plug illustrated below.

120V US



230V



230V ANZ



ti24583b

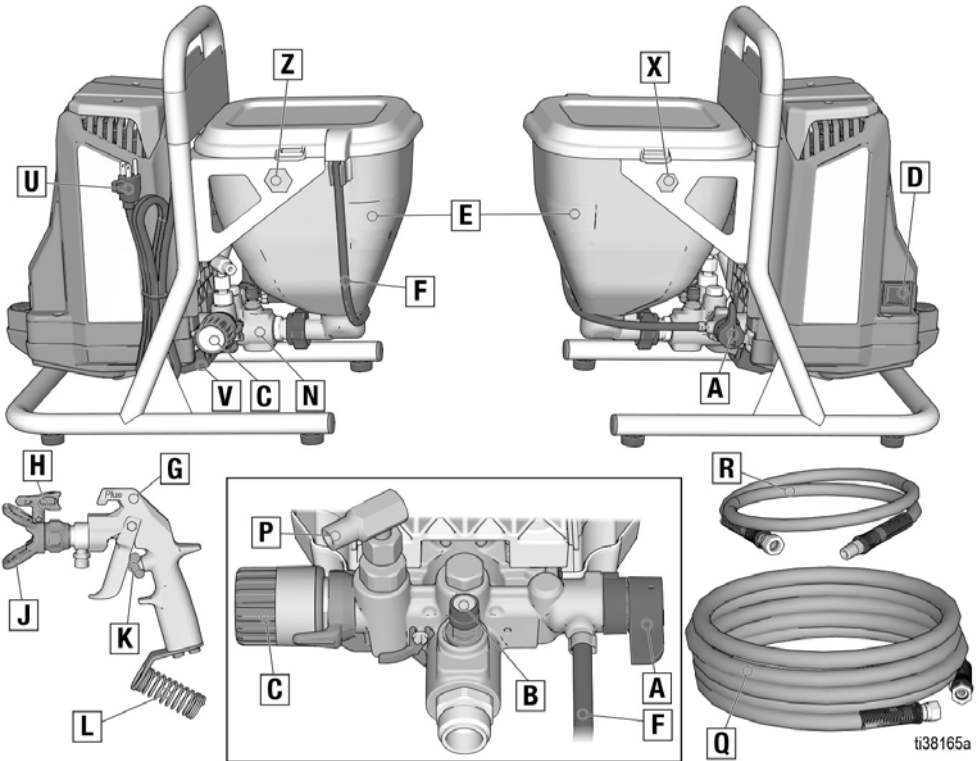
- Only connect the product to an outlet having the same configuration as the plug.
- Do not modify the plug provided; if it does not fit the outlet, have the proper outlet installed by a qualified electrician.
- Do not use an adapter with this product.
- When repair or replacement of the cord or plug is required, do not connect the grounding wire to either power terminal.
- The wire with insulation having an outer surface that is green with or without yellow stripes is the grounding wire.
- Check with a qualified electrician or serviceman when the grounding instructions are not completely understood, or when in doubt as to whether the product is properly grounded.

Extension Cords:

- Use only a 3-wire extension cord that has a grounding plug and a grounding receptacle that accepts the plug on the product.
- When using the sprayer outdoors, use an extension cord suitable for outdoor use.
- Make sure your extension cord is not damaged.
- When using an extension cord, be sure to use a cord heavy enough to carry the current that your sprayer draws. An undersized cord results in a drop in line voltage and loss of power and overheating. When in doubt use the next heavier gauge. The smaller the gauge number the heavier the cord. See chart for appropriate sizes and lengths:

Conductor Size		Length
AWG (American Wire Gauge)	Metric	Maximum
16	1.5 mm ²	25 ft. (8 m)
12	2.5 mm ²	50 ft. (15 m)

Know Your Sprayer



A	Prime/Spray Valve
B	PushPrime Button
C	Pressure Control Knob
D	ON/OFF Switch
E	Hopper
F	Drain Tube (with diffuser)
G	Flex Plus Airless Spray Gun
H	Spray Tip
J	Spray Tip Guard
K	Trigger Lock
L	Hose Guard
N	ProXChange™ Pump (behind Easy Access Door)

P	Fluid Outlet Fitting (Airless Hose connection)
Q	Airless Hose
R	Airless Whip Hose
U	Power Cord
V	Easy Access Door
X	Pump Removal Tool
Z	Inlet Valve Removal Tool
	Inlet Strainer, inside hopper (not shown)
	Model/Serial Tag, bottom of unit (not shown)
See Quick Reference , page 22, for more information.	

Grounding

Grounding



The equipment must be grounded to reduce the risk of static sparking and electric shock. An electric or static spark can cause fumes to ignite or explode. An improper ground can cause electric shock. A good ground provides an escape wire for the electric current.

This sprayer is equipped with a Power Cord that has a ground wire and an appropriate grounding plug.

The plug must be plugged into an outlet that is properly installed and grounded in accordance with all local codes and ordinances.

Do not modify the plug provided; if it does not fit the outlet, have the proper outlet installed by a qualified electrician.

Power Requirements

- 100-120V units require 100-120 VAC, 50/60 Hz, 8A, 1 phase.
- 230V units require 220-240 VAC, 50/60 Hz, 5A.

Extension Cords

Use an extension cord with an undamaged ground contact. If an extension cord is necessary, use a 3-wire, 12 AWG (2.5mm²) minimum.

NOTE: Smaller gauge or longer extension cords may reduce sprayer performance.

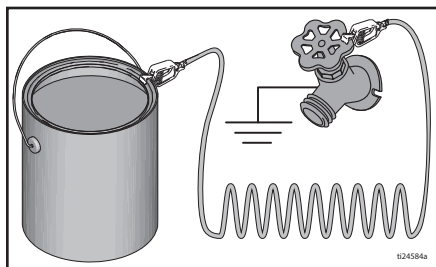
Pails

For disinfectants with alcohol active ingredients: Follow local code. Use only conductive metal pails, placed on a grounded surface such as concrete.

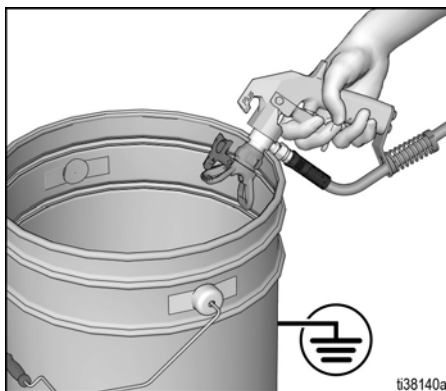
Do not place pail on a non-conductive surface such as paper or cardboard which interrupts grounding continuity.



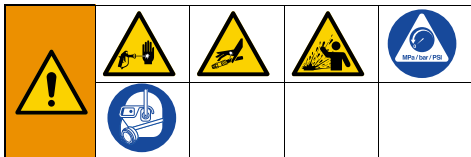
Always ground a metal pail: connect a ground wire to the pail. Clamp one end to the pail and the other end to a true earth ground such as a water pipe.



To maintain ground continuity when sprayer is flushed or pressure is relieved: hold metal part of Spray Gun firmly to the side of a grounded metal pail then trigger the Spray Gun.

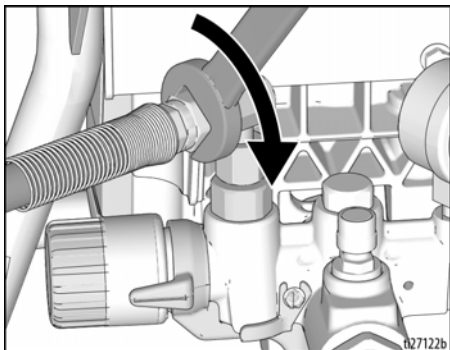


Setup

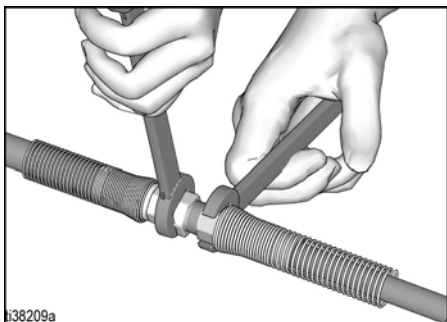


When unpacking sprayer for the first time or after long term storage, perform Setup procedure.

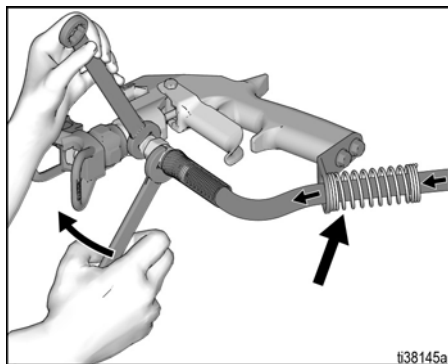
1. Connect 1/4" Graco Airless Hose to Fluid Outlet Fitting (remove red storage plug from fitting if present). Use wrenches to tighten securely.



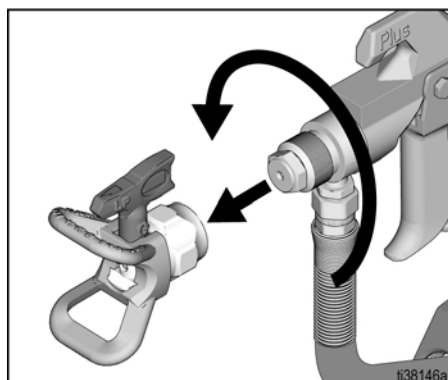
2. Assemble optional 1/8" Airless Whip Hose to end of 1/4" Airless Hose. Use wrenches to tighten securely.



3. Insert other end of Airless Whip Hose through Hose Guard at base of Spray Gun. Connect to Spray Gun. Use wrenches to tighten securely.

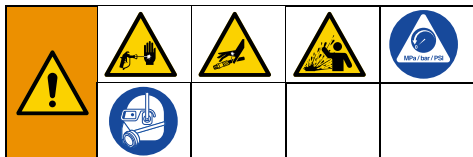


4. Remove Spray Tip Guard assembly from Spray Gun.



Start Up

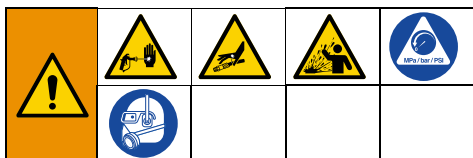
Start Up



Pressure Relief Procedure

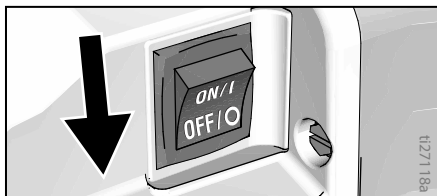


Follow the Pressure Relief Procedure whenever you see this symbol.

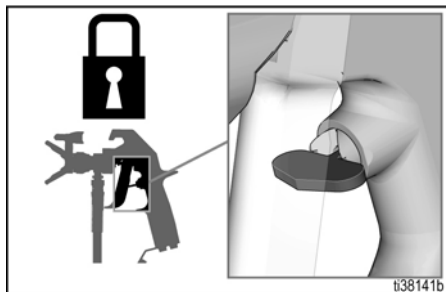


This equipment stays pressurized until pressure is manually relieved. To help prevent serious injury from pressurized fluid, such as skin injection or splashing fluid, follow the **Pressure Relief Procedure** whenever sprayer is stopped and before sprayer is cleaned or checked, and before equipment is serviced.

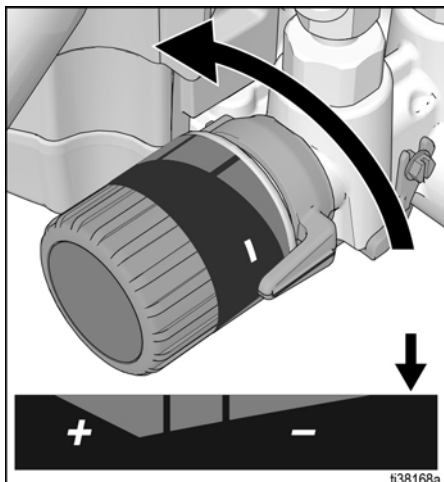
1. Turn ON/OFF Switch to the **OFF** position.



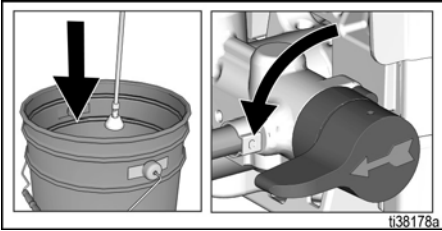
2. Engage the Trigger Lock. Always engage the Trigger Lock when sprayer is stopped to prevent the Spray Gun from being triggered accidentally.



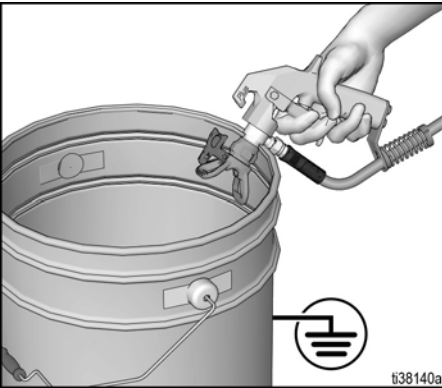
3. Turn Pressure Control Knob to the lowest setting.



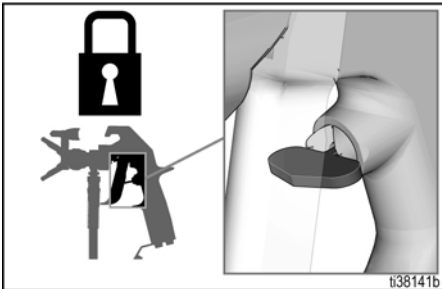
- Put Drain Tube in a pail and turn Prime/Spray Valve horizontal to PRIME position to relieve pressure.



- Hold a metal part of the Spray Gun firmly to a grounded metal pail. Point Spray Gun into pail. Disengage the Trigger Lock and trigger the Spray Gun to relieve pressure.



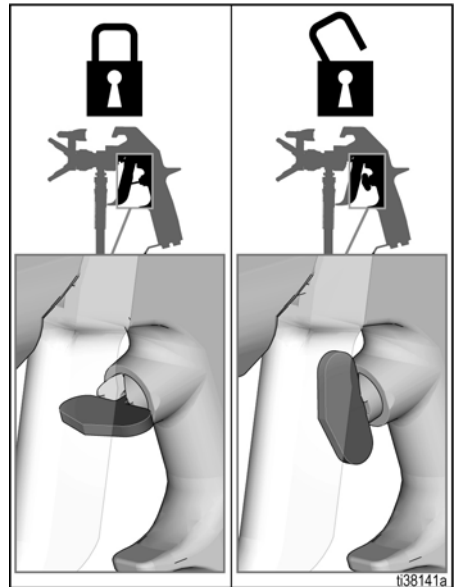
- Engage the Trigger Lock.



- If you suspect the Spray Tip or hose is clogged or that pressure has not been fully relieved:
 - VERY SLOWLY loosen the Spray Tip Guard retaining nut or the Airless Hose end coupling to relieve pressure gradually.
 - Loosen the nut or coupling completely.
 - Clear Airless Hose or Spray Tip obstruction.

Trigger Lock

Always engage the Trigger Lock when sprayer is stopped to prevent the Spray from being triggered accidentally by hand or if dropped or bumped.

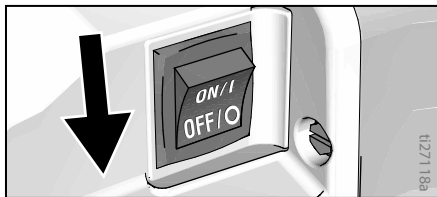


Start Up

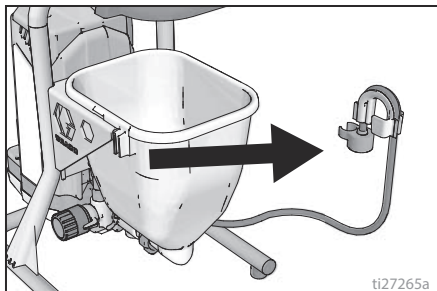
Flushing a New Sprayer

This sprayer arrives from the factory with a small amount of test fluid in the system. **It is important that you flush this fluid from the sprayer before using it for the first time.**

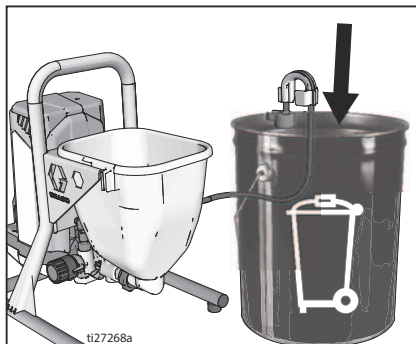
1. Perform **Pressure Relief Procedure**, page 12.
2. Make certain ON/OFF Switch is **OFF**.



- a. Lift Drain Tube with retainer off the Hopper.

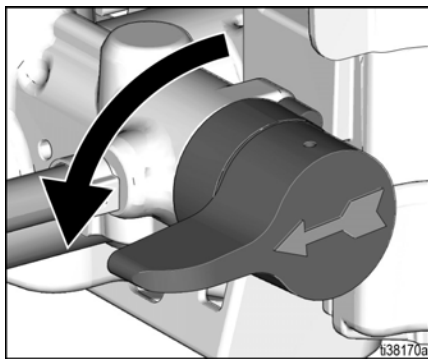


- b. While holding the Drain Tube retainer with the Drain Tube parallel to the top of a waste bucket, twist retainer over the lip of the container. Drain Tube should now be inside the waste bucket.

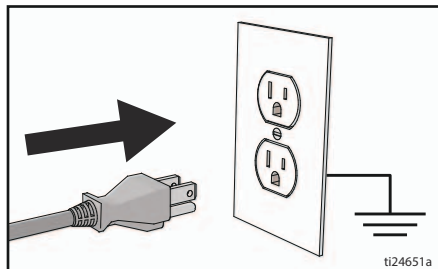


- c. Pour approximately two quarts of warm soapy water into the Hopper.

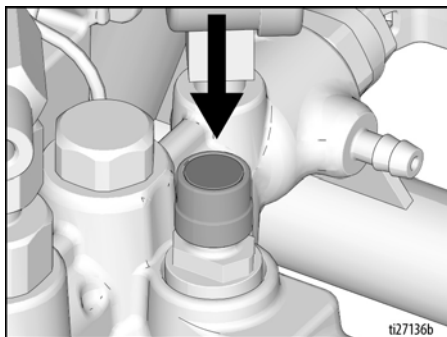
3. Turn Prime/Spray Valve horizontal to PRIME position.



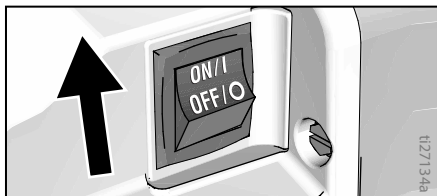
4. Plug power supply cord into a properly grounded electrical outlet.



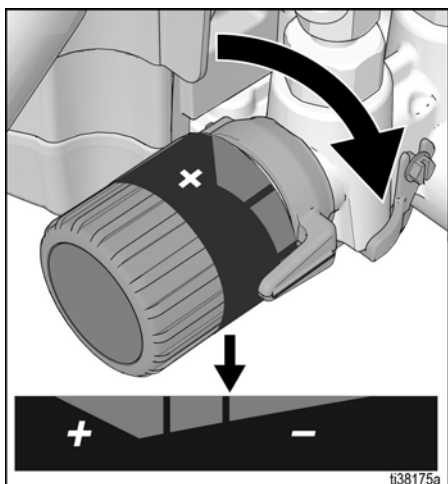
5. Press PushPrime Button twice to loosen inlet ball.



- Turn ON/OFF Switch to **ON** position.



- Rotate Pressure Control Knob clockwise until the pump turns on.



- When sprayer starts pumping, water and air bubbles will be purged from system. Allow fluid to flow out of Drain Tube and into waste bucket until Hopper is nearly empty.
- Turn ON/OFF Switch to **OFF** position.

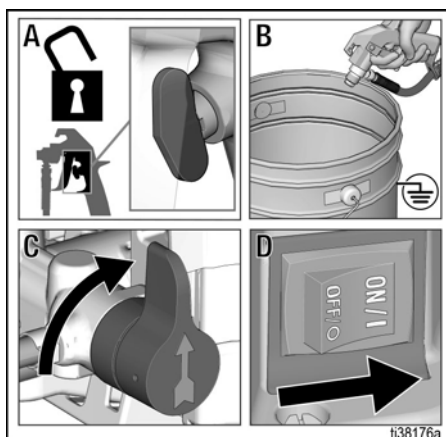
Fill Pump

- Add disinfectant to the Hopper.
- Turn ON/OFF Switch to **ON** position.
- Wait to see disinfectant coming out of the Drain Tube.
- Turn ON/OFF Switch to **OFF** position.

NOTE: Pump may prime faster if the ON/OFF Switch is momentarily turned off so the pump can slow and stop. Turn ON/OFF Switch on and off several times if necessary.

Fill Spray Gun and Airless Hose

- Hold Spray Gun against waste bucket. Point Spray Gun into waste bucket.
 - Disengage Trigger Lock.
 - Pull and hold Spray Gun trigger.
 - Turn Prime/Spray Valve up to **SPRAY** position.
 - Turn ON/OFF Switch to **ON** position.



- Trigger Spray Gun into waste bucket until only disinfectant comes out.
- Release trigger. Engage Trigger Lock.

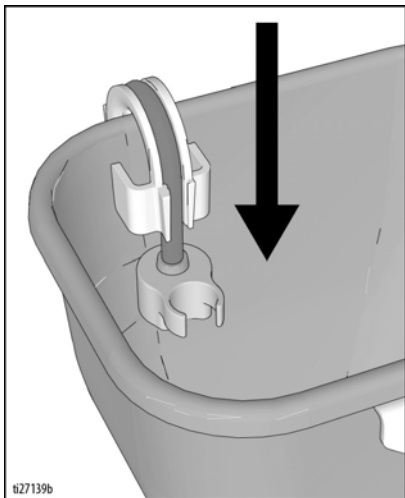


High-pressure spray is able to inject toxins into the body and cause serious bodily injury. Do not stop leaks with hand or rag.

- Inspect Airless Hose connections for leaks. If leaks occur, perform **Pressure Relief Procedure**, page 12, then tighten all fittings and repeat **Start Up**. If there are no leaks, continue with the next step.

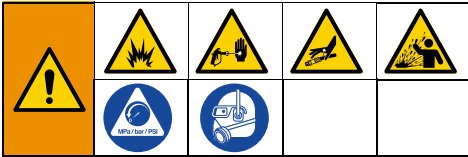
Start Up

5. Clip Drain Tube to Hopper.



NOTE: When motor stops, sprayer is ready to spray disinfectant. If motor continues to run, sprayer is not properly primed, repeat **Fill Pump** and **Fill Spray Gun and Airless Hose**, page 15.

How to Spray



Use only disinfectants approved for spray application.

Fumes from disinfectants with alcohol active ingredients, or from other flammable disinfectants, can explode or ignite. Pump motor generates sparks. To prevent fumes from exploding or igniting:

- Keep pump at least 20 ft from spray area.
- Do not spray pump.
- Keep spray area well-ventilated.
- Keep a good supply of fresh air moving through the area.

Choose Your Spray Tip



To avoid serious injury from skin injection, do not put your hand in front of the Spray Tip when installing or removing the Spray Tip and Spray Tip Guard.

Your sprayer comes with 3 Spray Tip sizes:

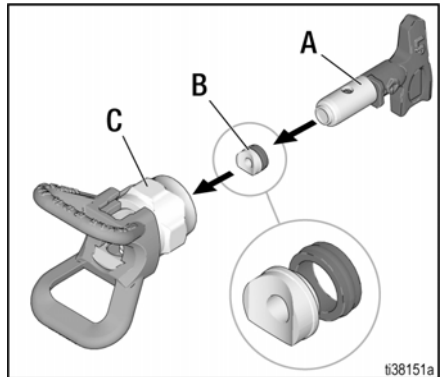
Fine	LP515
Medium	LP617
Coarse	LP619

Select the appropriate Spray Tip size to provide the acceptable spray of disinfectant. Refer to the disinfectant label for manufacturer's recommendations.

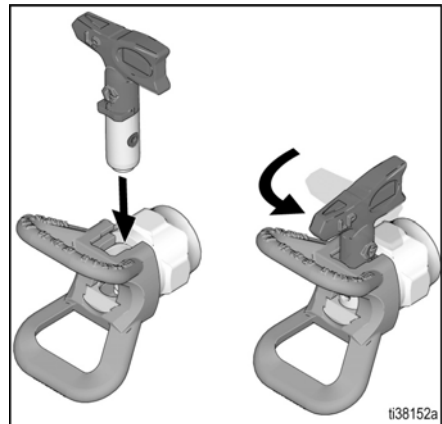
To prevent Spray Tip leaks, make certain Spray Tip and Spray Tip Guard are installed properly.

1. Perform **Pressure Relief Procedure**, page 12.

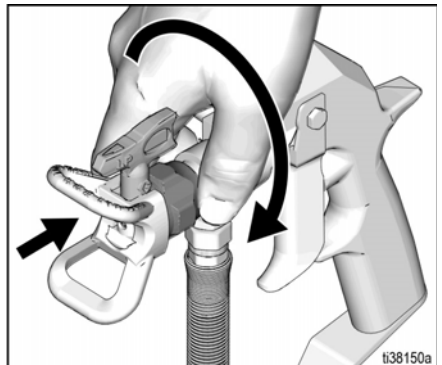
2. Use Spray Tip (A) to align gasket and seal (B) in the Spray Tip Guard (C).



3. Insert Spray Tip into Spray Tip Guard. Verify Spray Tip is forward in the SPRAY position.



4. Screw Spray Tip Guard assembly onto Spray Gun and tighten.



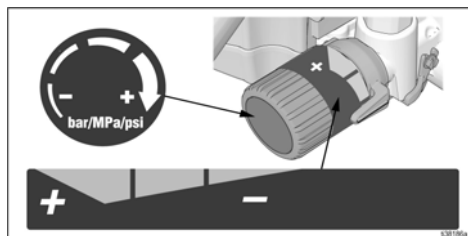
How to Spray

NOTE: Spray Tip will wear with use and need periodic replacement.

Starting Your Spray and Adjusting Pressure

Always refer to the disinfectant manufacturer's recommendations for an acceptable spray of disinfectant.

1. Point Spray Gun towards the surface to be sprayed.
2. Confirm the Pressure Control Knob is at the lowest setting.
3. Disengage Trigger Lock.
4. Pull and hold Spray Gun trigger.
5. Slowly increase pressure using the Pressure Control Knob. Set to the minimum setting necessary to produce an acceptable spray of disinfectant. This will help reduce overspray.



6. Adjust the Spray Gun's distance from the surface and your hand speed to achieve the desired surface coverage.

Clear Tip Clog



In the event debris clogs the Spray Tip, the Spray Gun is designed with a reversible Spray Tip that quickly and easily clears the particles without disassembling the Spray Gun.

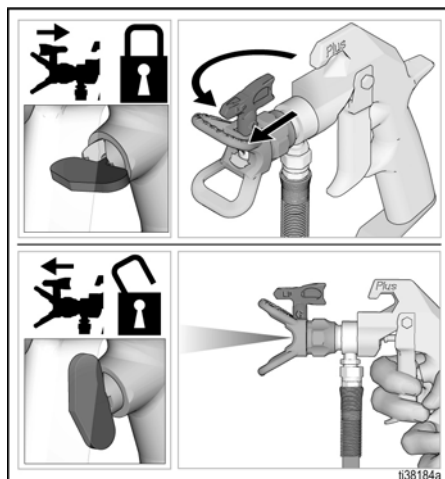
1. Release Trigger. Engage Trigger Lock. Rotate Spray Tip to UNCLOG position. Disengage Trigger Lock. Trigger Spray Gun in waste bucket to clear clog.

UNCLOG



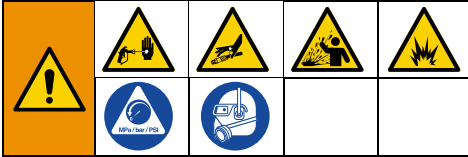
2. Engage Trigger Lock. Rotate Spray Tip back to SPRAY position. Disengage Trigger Lock and continue spraying.

SPRAY



Cleanup

Cleaning the sprayer is required after each use to remove any disinfectants and residues from the sprayer. It will also help ensure a trouble free start up the next time the sprayer is used.



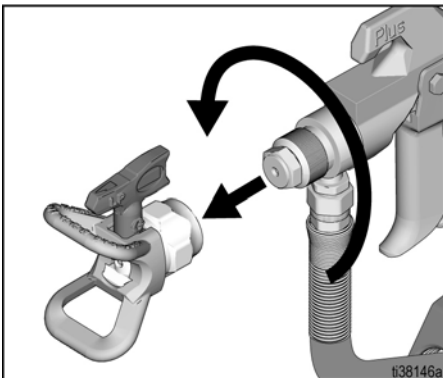
Use only water for cleaning.

Clean in a well-ventilated area. Keep a good supply of fresh air moving through the area.

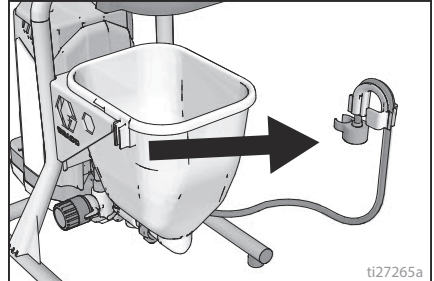
NOTICE

Disinfectant left in sprayer will damage the sprayer. To avoid damage, always completely flush with warm soapy water after every use. See **Cleanup**, page 19. Do not store sprayer with disinfectant in it.

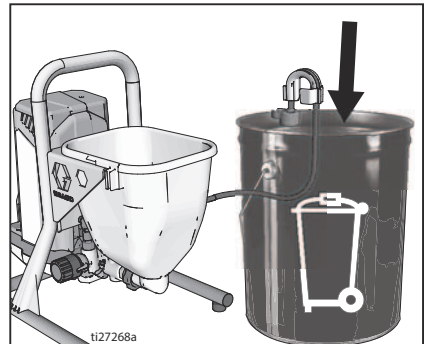
1. Perform **Pressure Relief Procedure**, page 12.
2. Pour any remaining disinfectant out of the Hopper into waste bucket.
3. Remove Spray Tip Guard and Spray Tip. For additional information, see **Clean the Gun**, page 20.



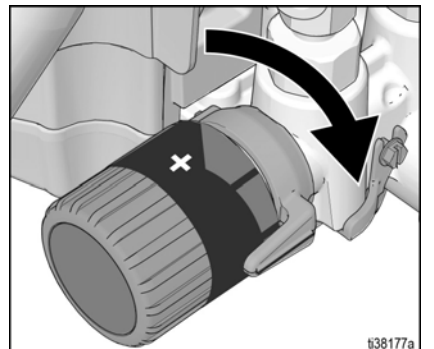
4. Remove Drain Tube from Hopper, wipe excess disinfectant from outside of Drain Tube and inside of Hopper.



5. Place Drain Tube in waste bucket. For disinfectants with alcohol active ingredients, ground the bucket according to **Grounding**, page 10.



6. Pour warm soapy water into the Hopper.
7. Turn ON/OFF Switch to **ON** position.
8. Rotate Pressure Control Knob clockwise until the pump turns on.



Cleanup

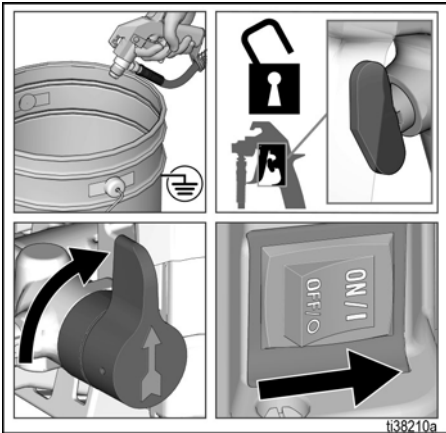
9. Allow water to flow out of drain tube and into waste bucket until approximately 1/3 of the water is emptied from the Hopper.

10. Turn ON/OFF Switch to **OFF** position.

NOTE: Step 11 is for removing disinfectant from the Airless Hose. One 50 ft Airless Hose holds approximately 1 quart of fluid.

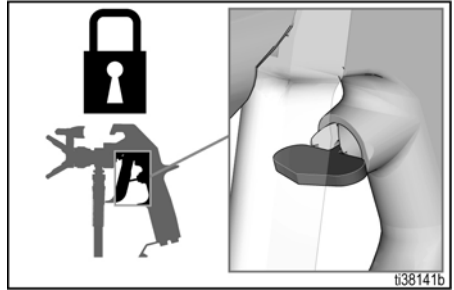
11. To remove disinfectant from Airless Hose:

- Hold Spray Gun against waste bucket.
- Disengage Trigger Lock.
- Pull and hold Spray Gun trigger.
- Turn Prime/Spray Valve up to **SPRAY** position.
- Turn ON/OFF switch to **ON** position.

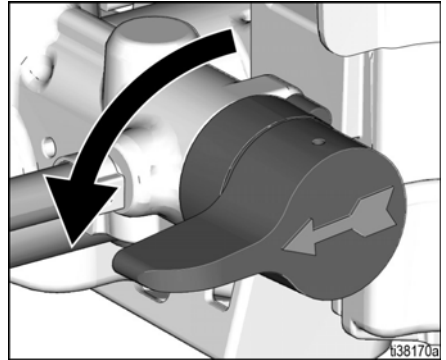


12. Continue triggering Spray Gun into waste bucket until all water is emptied from the Hopper and Airless Hose.

13. Stop triggering Spray Gun. Engage the Trigger Lock.



14. Turn Prime/Spray Valve horizontal to **PRIME** position.

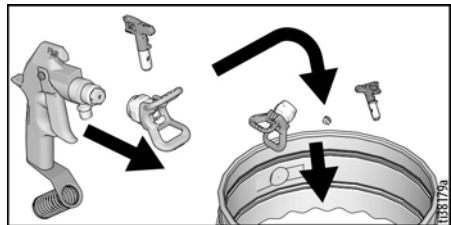


15. Turn ON/OFF Switch to **OFF** position.

16. Dispose of the fluid in the waste bucket according to the instructions on the disinfectant container label and applicable regulations.

Clean the Gun

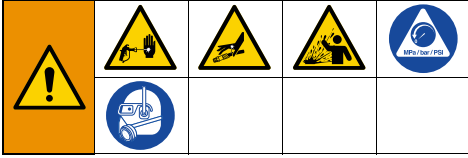
1. Remove Spray Tip and Spray Tip Guard assembly. Clean with water and a brush.



2. Wipe sprayer, Airless Hose, and Spray Gun with soft cloth moistened with water.

Storage

With proper storage, the sprayer will be ready to use the next time it is needed.



NOTICE

Disinfectant left in sprayer will damage the sprayer. To avoid damage, always completely flush with warm soapy water after every use. See **Cleanup**, page 19. Do not store sprayer with disinfectant in it.

- Before storing sprayer, make sure all water is drained out of sprayer and Airless Hose.
- Do not allow water to freeze in sprayer or Airless Hose.
- Do not store sprayer under pressure.
- Store sprayer indoors.

Quick Reference

Page 9	Name	Description
A	Prime/Spray Valve	<ul style="list-style-type: none">• In PRIME position directs fluid to Drain Tube.• In SPRAY position directs pressurized fluid to Airless Hose.• Automatically relieves system pressure in overpressure situations.
B	PushPrime Button	Taps the inlet ball when pushed to loosen it.
C	Pressure Control Knob	Increases (clockwise) and decreases (counterclockwise) fluid pressure in pump, Airless Hose, and Spray Gun.
D	ON/OFF Switch	Turns sprayer ON and OFF.
E	Hopper	Draws fluid into pump.
F	Drain Tube	Drains fluid in system during priming and pressure relief.
G	Flex Plus Airless Spray Gun	Dispenses fluid.
H	Spray Tip	<ul style="list-style-type: none">• Atomizes fluid being sprayed, forms spray pattern and controls fluid flow according to hole size.• Reverse position unclogs plugged tips without disassembly.
J	Spray Tip Guard	Reduces risk of fluid injection injury.
K	Trigger Lock (page 13)	Prevents accidental triggering of Spray Gun.
L	Fluid Inlet Fitting	Threaded connection for Airless Hose.
N	ProXChange Pump	Pumps and pressurizes fluid and delivers it to Airless Hose.
P	Pump Fluid Outlet Fitting	Threaded connection for Airless Hose.
Q	Airless Hose	Transports high-pressure fluid from pump to Spray Gun.
T	Inlet Strainer (inside Hopper)	Prevents debris from entering pump.
U	Power Cord	Plugs into power source.
V	Easy Access Door	Easy Access Door permits quick access to the pump. Open pump door by pulling out on the tabs while sliding door away from the pump inlet.
X	Pump Removal Tool	Use cut out in the frame to remove/install pump packing.
Z	Inlet Valve Removal Tool	Cut out in the frame provide the tools to quickly remove/install the inlet valve without additional tools.

Maintenance

Routine maintenance is important to ensure proper operation of your sprayer.



Activity	Interval
Inspect/clean Fluid Inlet strainer.	Daily or each time you spray
Inspect motor shroud openings for blockage.	Daily or each time you spray

NOTICE

Protect the internal drive parts of this sprayer from water. Openings in shroud allow cooling of mechanical parts and electronics inside. If water gets into these openings, the sprayer could malfunction or be permanently damaged.

Airless Hoses

Check Airless Hose for damage every time you spray. Do not attempt to repair Airless Hose if hose jacket or fittings are damaged. Do not use Airless Hoses shorter than 25 ft. Wrench tighten, using two wrenches.

Spray Tips

- Always clean tips with water and brush after spraying.
- Tips may require replacement after 15 gallons or they may last through 60 gallons.

Pump Repair

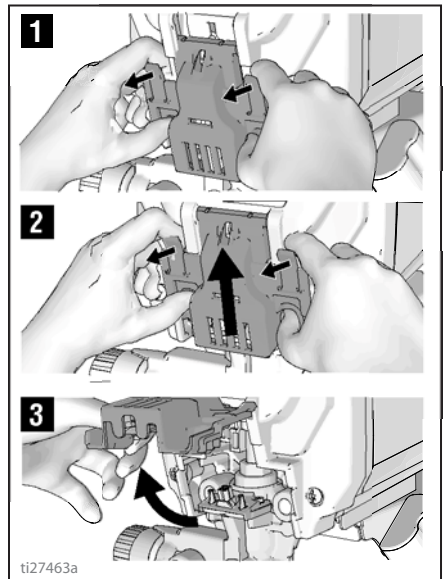
When pump packings wear, material will begin to leak down outside of pump. Purchase a replacement Pump Assembly. See **Notes**, page 29. Install according to **Pump Removal** and **Pump Installation** instructions, pages 23 and 24.

Pump Removal

The Hopper must be removed before pump can be removed.

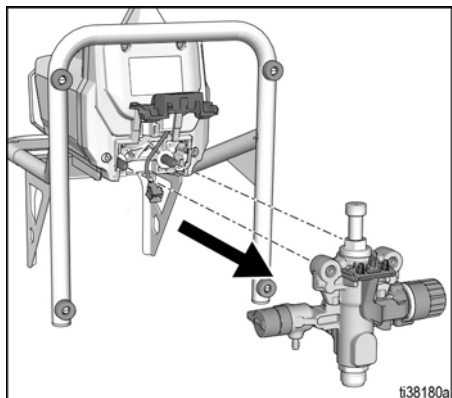
Always perform **Pressure Relief Procedure**, page 12, before starting any pump repairs.

1. Pull tabs on sides of the Easy Access Door pump towards you while pushing the entire door away from the inlet end of the pump.
2. Now lift the door so that it swivels out of the way.

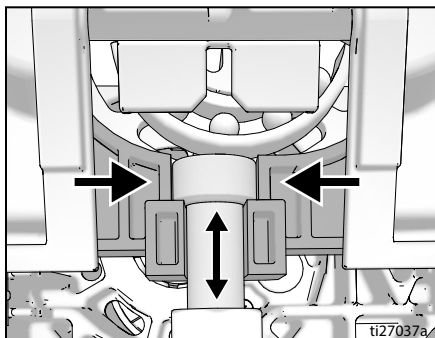


Maintenance

- Slide pump assembly off the mounting pins.



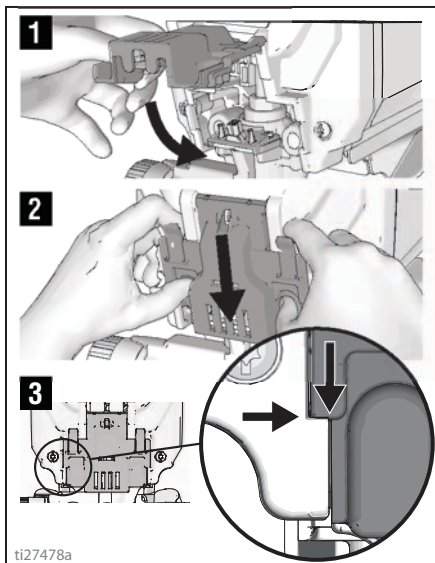
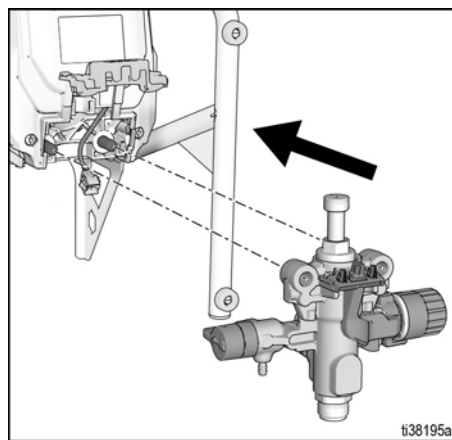
- Move pump displacement rod up or down until cap is level with the opening in the yoke.



- Swing Easy Access Door pump door closed while pushing the entire door towards the inlet end of the pump.

Pump Installation

- Slide pump assembly onto the mounting pins.

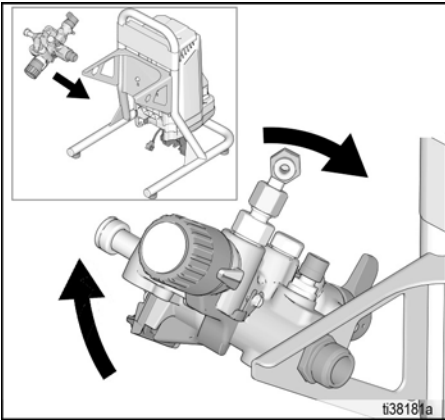


NOTE: Door must be fully closed and latched before sprayer will operate.

Inlet Valve Removal

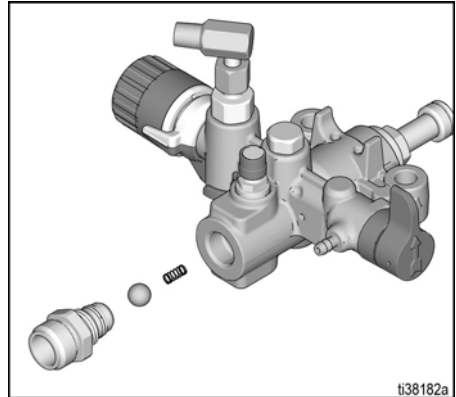
An integrated tool is included in the frame to remove the inlet valve assembly from the pump. If you suspect that the inlet valve is clogged or stuck, remove the valve assembly and clean.

1. Remove Hopper and pump from sprayer. See **Pump Removal**, page 23
2. Insert pump inlet into frame and loosen the inlet valve. Remove inlet valve.



NOTICE

Do not lose the ball and spring inside the inlet valve assembly. It may fall out when the inlet valve is removed. Pump will not prime without the ball and spring.



3. Clean any debris from the cavity and reinstall the ball and spring. Tighten inlet valve to pump using integrated tool on the frame.

Recycling and Disposal

End of Product Life

At the end of the product's useful life, dismantle and recycle it in a responsible manner.

- Perform the **Pressure Relief Procedure**, page 12.
- Drain and dispose of fluids according to applicable regulations. Refer to the material manufacturer's Safety Data Sheet.

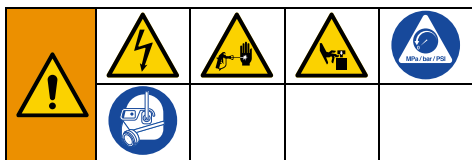
- Remove motors, batteries, circuit boards, LCDs (liquid crystal displays), and other electronic components. Recycle according to applicable regulations.
- Do not dispose of electronic components with household or commercial waste.



- Deliver remaining product to a recycling facility.

Troubleshooting

Troubleshooting



1. Disconnect power and follow **Pressure Relief Procedure**, page 12, before checking or repairing.

2. Solutions at the beginning of each problem listed are the most common. Start at the beginning and continue down the list to find a solution.



Problem	Cause	Solution
Motor does not run: (verify sprayer is plugged in, and power switch is on)	Easy access door not fully closed.	Verify the Easy Access Door is closed and latched. See page 24.
	Pressure Control Knob is set at zero pressure.	Turn Pressure Control Knob clockwise to increase pressure setting.
	Electric outlet is not providing power.	Test outlet with known working device. Reset circuit breaker or replace fuse. Find working outlet. Reset building circuit breaker or replace fuse.
	Extension cord is damaged.	Replace extension cord. See page 10.
	Sprayer electric cord is damaged.	Check for broken insulation or wires. Replace electric cord if damaged.
	Pump is seized (water is frozen in pump.)	Turn ON/OFF Switch off and unplug sprayer from outlet. If frozen do NOT try to start sprayer until it is completely thawed or it may damage the motor, control board and/or drive train. Place sprayer in warm area for several hours. Check for free moving pump by removing shroud and spinning fan. If not frozen, replace pump. See Notes , page 29.
	Motor or control is damaged.	Replace motor or pump assembly. See Notes , page 29.

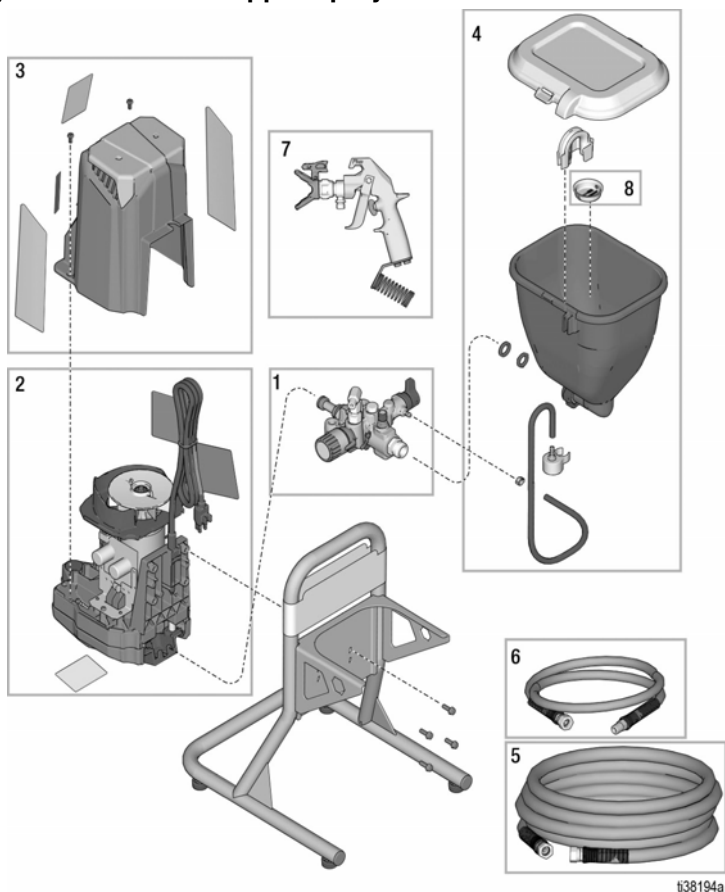
Problem	Cause	Solution
Sprayer runs, but pump does not prime or loses prime while in use (pump cycles but does not pump material or build pressure).	Inlet valve check ball is stuck.	Press PushPrime Button to dislodge the ball allowing pump to prime properly.
	Prime/Spray Valve is in SPRAY position.	Turn Prime/Spray Valve down to PRIME position until material exits Drain Tube. The pump is now primed.
	Inlet strainer is clogged or Hopper is empty.	Clean debris off inlet strainer and make sure there is fluid in Hopper.
	Inlet valve check ball or seat is dirty.	Remove Fluid Inlet Fitting. Clean ball and seat. See page 24.
	Outlet valve check ball is stuck.	Unscrew outlet valve, remove, and clean assembly.
	Prime/Spray Valve is worn or obstructed with debris.	Replace pump assembly. See Notes , page 29.
Pump is primed, but can not achieve good spray pattern.	Spray Tip is in UNCLOG position.	Rotate arrow-shaped handle on Spray Tip so it points forward to SPRAY position.
	Pressure is set too low.	Increase pressure setting of Pressure Control Knob.
	Spray Tip gasket and seal worn or missing.	Replace gasket and seal. See page 17.
	Inlet strainer is clogged or Hopper is empty.	Clean debris off inlet strainer and make sure there is fluid in Hopper.
	Extension cord is too long or not heavy enough gauge.	Replace extension cord. See page 10.
	Inlet pump valve or outlet pump valve is worn or clogged with debris.	Check for worn or contaminated inlet valve or outlet valve. <ul style="list-style-type: none"> • Prime sprayer. • Trigger Spray Gun momentarily. • When trigger is released, pump should cycle momentarily and stop. • If pump continues to cycle, pump valves may be worn or contaminated with debris. • Replace Pump Assembly. See Notes, page 29.
Airless Hose is too long (if extra section was added).	Remove section of Airless Hose.	
Spray Gun stopped spraying while trigger is pulled.	Sprayer lost prime.	See troubleshooting section "Sprayer runs, but pump does not prime or loses prime while in use." on page 27.

Troubleshooting

Problem	Cause	Solution
Fan pattern varies dramatically while spraying.	Pressure control switch is worn and causing excessive pressure variation.	Replace Pump Assembly. See Notes , page 29.
Cannot trigger Spray Gun.	Spray Trigger Lock is engaged.	Rotate Trigger Lock to disengage trigger lock. See page 13.
Material is coming out of pressure control.	Pressure control is worn.	Replace Pump Assembly. See Notes , page 29.
Material leaks down outside of pump.	Pump packings are worn.	Replace Pump Assembly. See Notes , page 29.
Motor is hot and runs intermittently. Motor automatically shuts off due to excessive heat. Damage can occur if cause is not corrected.	Vent holes in enclosure are plugged or sprayer is covered.	Keep vent holes clear of obstructions and keep sprayer open to air.
	Extension cord is too long or not a heavy enough gauge.	Replace extension cord. See page 10.
	Unregulated electrical generator being used has excessive voltage.	Use electrical generator with a proper voltage regulator.
	Motor needs to be replaced.	Replace motor assembly. See Notes , page 29.

Parts

SaniSpray HP 65 Portable Hopper Sprayer



t38194a

Parts List

Ref.	Part	Description	Qty.	Ref.	Part	Description	Qty.
1	25R920	KIT, pump	1	▲	see page LABEL, warning, cord	1	
2	see page 31	KIT, motor, drive	1	▲	see page 31	CARD, medical alert (not shown)	1
3	25R922	KIT, enclosure	1	▲	<i>Replacement safety labels, tags, and cards are available at no cost.</i>		
4	25R923	KIT, hopper	1		* Two extra polymer gun seals are included with the sprayer. For disinfectant applications, use polymer seals instead of the metal seal that is included with replacement spray tips.		
5	240794	HOSE, 1/4 in x 50 ft	1				
6	25C828	HOSE, 1/8 in x 4-1/2 ft	1				
7	see page 31	GUN, SaniSpray HP	1				
8	112133	SCREEN, hopper	1				
	25R872*	SEALS, gun, polymer (5-pack) (not shown)	1				
	25T282	EXTENSION, 15 in (not shown)	1				

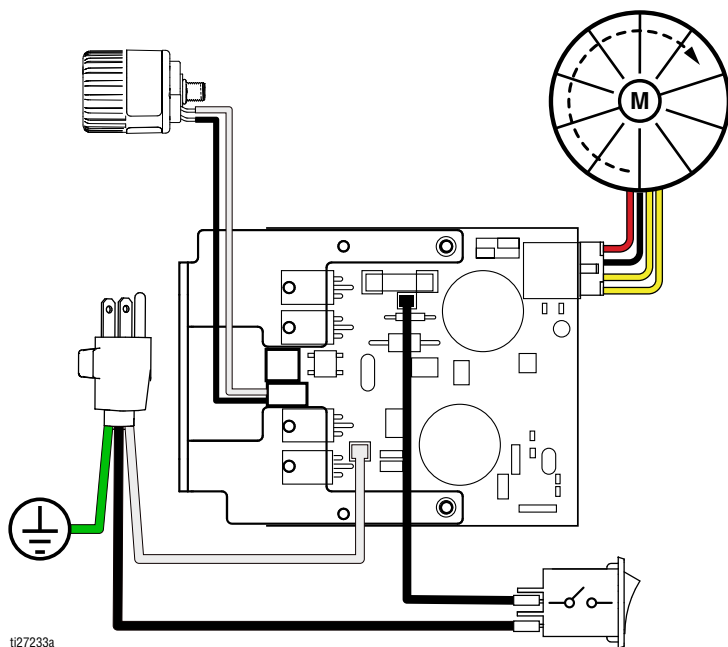
Accessories and Labels

Sprayer Model	Ref. 4 KIT, Control, Assembly	Ref. 7 GUN, SaniSpray HP	SPRAY TIP	CARD, Medical Alert ▲	LABEL, Warning, Cord ▲
25R792	25R921	25R874	LP515 LP617 LP619*	222385	19Y893 & 19Y894
25R946	25T291	25T289	LP515 LP617 LP619*	222385	19Y993
25R948	25T292	25T289	LP515 LP617 LP619*	222385	19Y993
25R954	25T299	25T290	LP515 LP617 LP619*	17A134 & 26A997	25T284, 25T285 & 25T305
25R962	25T300	25T290	LP515 LP617 LP619*	17A134 & 26A998	25T284 & 25T285
* SaniSpray HP Gun includes LP619 Spray Tip.					
▲ Replacement safety labels, tags, and cards are available at no cost.					

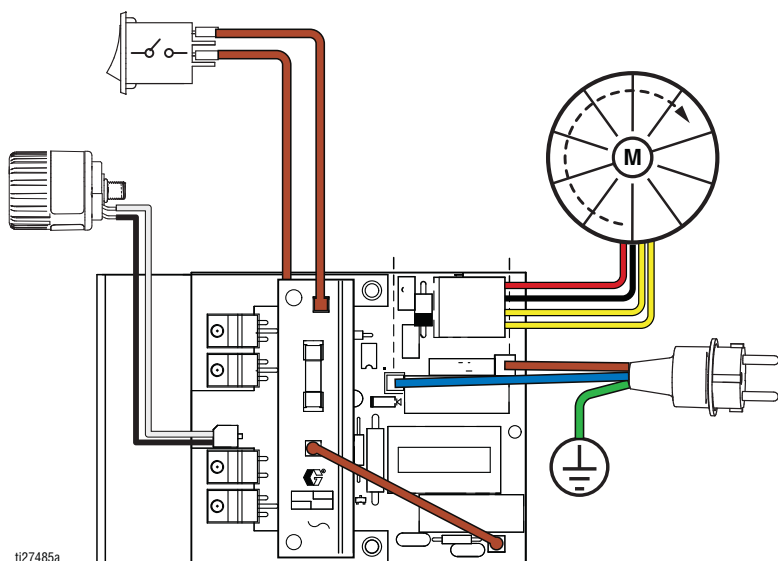
Wiring Diagrams

Wiring Diagrams

100-120V



220-240V




Technical Specifications

SaniSpray HP 65 Portable Hopper Sprayer		
	US	Metric
Sprayer		
Maximum fluid working pressure	1000 psi	69 bar, 6.9 MPa
Maximum Delivery	0.5 gpm	1.9 lpm
Maximum Tip Size	0.023 in.	0.58 mm
Fluid Outlet npsm	1/4 in.	
Generator Minimum	3500 W	
Power Requirements	100–120V, 8A, 1Ø or 220-240V, 5A, 1Ø	
Dimensions		
Height	19.6 in.	49.8 cm
Length	20.2 in.	51.3 cm
Width	13.5 in.	34.3 cm
Weight	28 lb.	12.1 kg
Storage temperature range ♦❖	–30° to 160°F	–35° to 71°C
Operating temperature range ✓	40° to 115°F	4° to 46°C
Noise		
Sound pressure	83 dBa*	
Sound power	93 dBa*	
Materials of Construction		
Wetted materials	stainless steel, PTFE, acetal, leather, UHMWPE, anodized aluminum, tungsten carbide, polyethylene, fluoroelastomer, urethane, nylon, PE-RT	
Notes		
* Startup pressures and displacement per cycle may vary based on suction condition, discharge head, air pressure, and fluid type.		
** Sound pressure measured 3 feet (1 meter) from equipment. Sound power measured per ISO-9614.		
♦ Never store with disinfectant or water in sprayer.		
All trademarks or registered trademarks are the property of their respective owners.		

California Proposition 65

CALIFORNIA RESIDENTS

 **WARNING:** Cancer and reproductive harm –
www.P65warnings.ca.gov.

Graco Warranty

Graco warrants all equipment referenced in this document which is manufactured by Graco and bearing its name to be free of defects in material and workmanship on the date of sale by an authorized Graco distributor to the original purchaser for use. Graco will, for a period of ninety (90) days from the date of sale, provide repair parts for equipment determined by Graco to be defective. This warranty applies only when the equipment is installed, operated and maintained in accordance with Graco's written recommendations.

This warranty does not cover, and Graco shall not be liable for general wear and tear, or any malfunction, damage or wear caused by faulty installation, misapplication, abrasion, corrosion, inadequate or improper maintenance, negligence, accident, tampering, or substitution of non-Graco component parts. Nor shall Graco be liable for malfunction, damage or wear caused by the incompatibility of Graco equipment with structures, accessories, equipment or materials not supplied by Graco, or the improper design, manufacture, installation, operation or maintenance of structures, accessories, equipment or materials not supplied by Graco.

THIS WARRANTY IS EXCLUSIVE, AND IS IN LIEU OF ANY OTHER WARRANTIES, EXPRESS OR IMPLIED, INCLUDING BUT NOT LIMITED TO WARRANTY OF MERCHANTABILITY OR WARRANTY OF FITNESS FOR A PARTICULAR PURPOSE.

Graco's sole obligation and buyer's sole remedy for any breach of warranty shall be as set forth herein. The buyer agrees that no other remedy (including, but not limited to, incidental or consequential damages for lost profits, lost sales, injury to person or property, or any other incidental or consequential loss) shall be available. Any action for breach of warranty must be brought within two (2) years of the date of sale.

GRACO MAKES NO WARRANTY, AND DISCLAIMS ALL IMPLIED WARRANTIES OF MERCHANTABILITY AND FITNESS FOR A PARTICULAR PURPOSE, IN CONNECTION WITH ACCESSORIES, EQUIPMENT, MATERIALS OR COMPONENTS SOLD BUT NOT MANUFACTURED BY GRACO.

These items sold, but not manufactured by Graco (such as electric motors, switches, hose, etc.), are subject to the warranty, if any, of their manufacturer. Graco will provide purchaser with reasonable assistance in making any claim for breach of these warranties.

IN NO EVENT WILL GRACO BE LIABLE FOR INDIRECT, INCIDENTAL, SPECIAL OR CONSEQUENTIAL DAMAGES RESULTING FROM GRACO SUPPLYING EQUIPMENT HEREUNDER, OR THE FURNISHING, PERFORMANCE, OR USE OF ANY PRODUCTS OR OTHER GOODS SOLD HERETO, WHETHER DUE TO A BREACH OF CONTRACT, BREACH OF WARRANTY, THE NEGLIGENCE OF GRACO, OR OTHERWISE.

This warranty gives you specific legal rights, and you may also have other rights which vary by country, state or province. This warranty and limitation of liability shall not exclude or limit those rights (if any) against Graco which cannot be excluded or limited under the applicable law of your country, state or province.

FOR GRACO NORTH AMERICA CUSTOMERS

Please call 1-844-241-9499 or visit www.graco.com/techsupport regarding any potential defect in equipment under warranty. If the claimed defect is verified, Graco will either, at its discretion, send repair parts for owner installation or replace the product, free of charge. Warranty claims and/or service for this product are not administrated by Graco's distributors or service centers for Graco paint equipment.

FOR GRACO EUROPE, MIDDLE EAST AND AFRICA CUSTOMERS

Please contact your regional service center or authorized distributor to administer a warranty claim.

FOR GRACO CANADA CUSTOMERS

The Parties acknowledge that they have required that the present document, as well as all documents, notices and legal proceedings entered into, given or instituted pursuant hereto or relating directly or indirectly hereto, be drawn up in English. Les parties reconnaissent avoir convenu que la rédaction du présente document sera en Anglais, ainsi que tous documents, avis et procédures judiciaires exécutés, donnés ou intentés, à la suite de ou en rapport, directement ou indirectement, avec les procédures concernées.

Graco Information

For the latest information about Graco products, visit www.graco.com.

For patent information, see www.graco.com/patents.

TO PLACE AN ORDER, contact your Graco distributor or call 1-800-690-2894 to identify the nearest distributor.

All written and visual data contained in this document reflects the latest product information available at the time of publication. Graco reserves the right to make changes at any time without notice.

Original instructions. This manual contains English. MM 3A7653

Graco Headquarters: Minneapolis
International Offices: Belgium, China, Japan, Korea

GRACO INC. AND SUBSIDIARIES • P.O. BOX 1441 • MINNEAPOLIS MN 55440-1441 • USA

Copyright 2020, Graco Inc. All Graco manufacturing locations are registered to ISO 9001.

www.graco.com
Revision C, June 2020