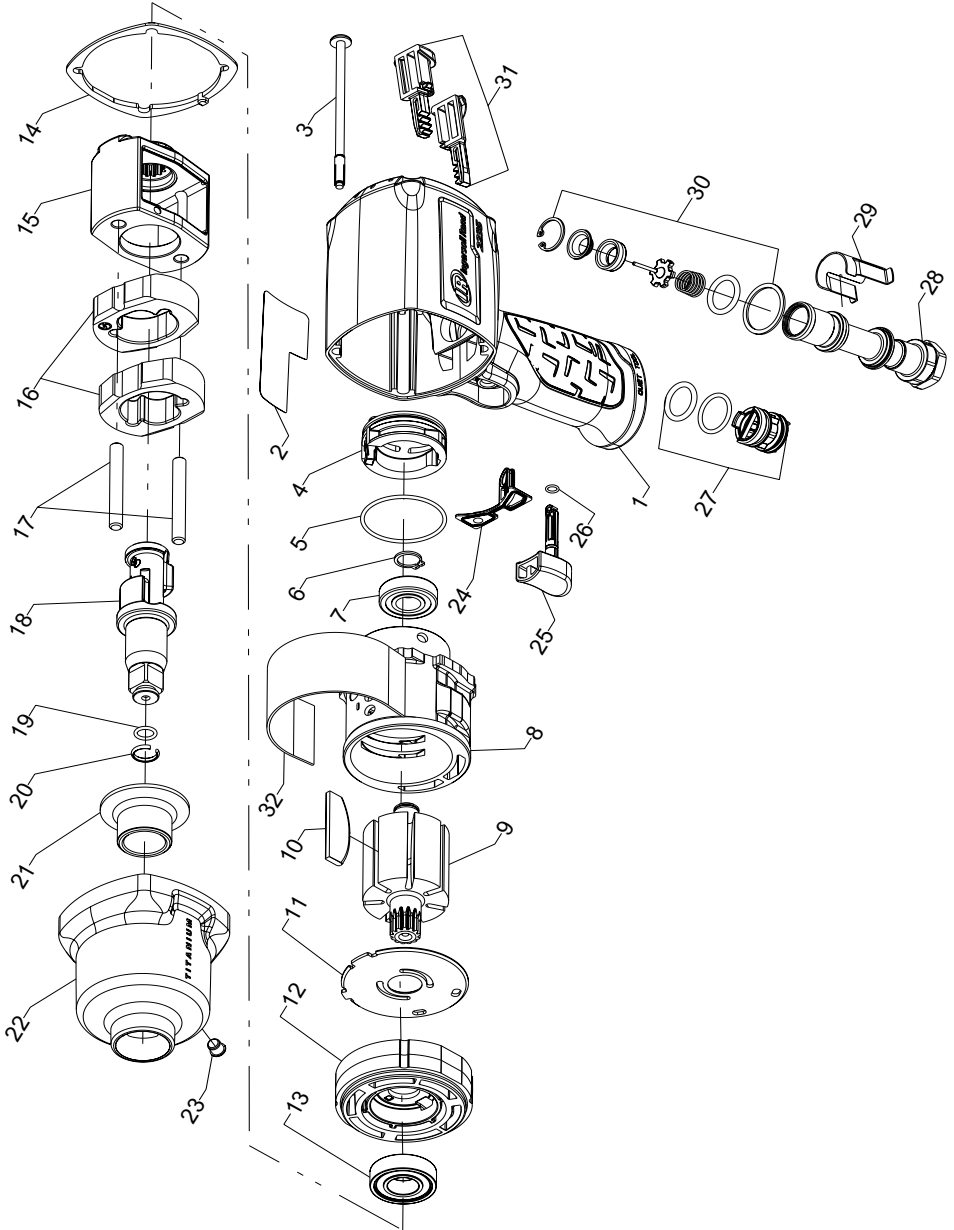


2235MAX Series Air Impacttool™ - Exploded View



(Dwg. 47517574001)



2235MAX Series Air Impactool™ - Parts List

Item	Part Description	Part Number	(CCN)	Item	Part Description	Part Number	(CCN)
*	Housing Assy (2235TIMAX, 2235TIMAX-2)	2235MAX-A40	(47517310001)	27	Reverse Valve Assy	2131-A329	(04167896)
	(2235QTIMAX, 2235QTIMAX-2)	2235QMAX-A40	(47517496001)	27A	Reverse Valve		
1	Housing	--	--	27B	O-Ring, Reverse Valve (Top-Black)	--	--
2	Nameplate/Warning Label	--	--	27C	O-Ring, Reverse Valve (Bottom-Blue)	--	--
24	Gasket, Motor	--	--	*	Inlet Bushing Assy	2135-D565A	(45531787)
27	Reverse Valve Assy	--	--	28	Inlet Bushing	--	--
31	Button Kit	--	--	29	Inlet Clip	2131-57	(04167862)
2	Nameplate/Warning Label	2235MAX-301	(47517308001)	30	Inlet Parts Kit	2135-K303	(45535051)
3	Screw, Hammer Case (4)	2235-638	(47506531001)	30A	Washer	--	--
*	Power Regulator Assy	2135-D249A	(45523628)	30B	O-Ring, Seal	--	--
4	Power Regulator	--	--	30C	Throttle Spring	--	--
5	O-Ring, Power Regulator	--	--	30D	Throttle Valve	--	--
6	Retaining Ring	2131-6	(4194809)	30E	Valve Seat	--	--
7	Ball Bearing (Cylinder)	2131-97	(4172813)	30F	Seat Support	--	--
8	Cylinder	2235-3	(48423115)	30G	Retainer	--	--
9	Rotor	2235-53	(48416580)	31	Button Kit	2135-K75	(04722245)
† 10	Vane Pack (set of 7)	2235-42-7	(47514377001)	31A	Forward Button	--	--
11	Wear Plate	2235-11X	(48423131)	31B	Reverse Button	--	--
12	End Plate	2235-11	(48422075)	32	Silencer Wrap (2235QTIMAX, 2235QTIMAX-2)	2235Q-311	(47517575001)
13	Ball Bearing (End Plate)	2235-97	(48416614)	*	Tune-up Kit	2235-TK1	(47517401001)
† 14	Hammer Case Gasket	2235-36RD	(47500394001)	5	O-Ring, Power Regulator	--	--
*	Hammer Mechanism Kit	2235-THK1	(47517319001)	6	Retaining Ring	--	--
15	Hammer Frame	--	--	7	Ball Bearing (Cylinder)	--	--
16	Hammer (2)	2235-724	(48422018)	13	Ball Bearing (End Plate)	--	--
17	Hammer Pin	--	--	10	Vane Pack (set of 7)	--	--
*	Anvil Assy (2235TIMAX, 2235QTIMAX)	2235-A626	(47514376001)	14	Hammer Case Gasket	--	--
	(2235TIMAX-2, 2235QTIMAX-2)	2235-A626-2	(47517656001)	26	O-Ring, Trigger	--	--
18	Anvil	--	--	24	Gasket, Motor	--	--
	Socket Retainer Kit	--	--	27B	O-Ring, Reverse Valve (Top-Black)	--	--
†*	Socket Retainer Kit (1/2" Ring-type)	2125QT-K425	(80107733)	27C	O-Ring, Reverse Valve (Bottom-Blue)	--	--
†*	Socket Retainer Kit (1/2" Ring- type) - 10 PACK	2125QT-K425-10	(47517616001)	30	Inlet Parts Kit	--	--
19	O-Ring	--	--	*	Inlet Clip Removal Tool	2131-322	(04263745)
20	Socket Retainer	--	--	†	Air Care Kit (grease gun, grease, oil)	115-LBK1	(04616108)
*	Hammer Case Assy	2235TIMAX-D727	(47500255001)	*	Grease (replacement tube for -LBK1)	115-4T	(04616157)
21	Bushing, Hammer Case	2135-941	(80092927)		Air Tool Oil (4 oz. Bottle)	1024	(03875671)
22	Hammer Case	--	--	*	Grease (1 lb can)	105-1LB	(04279147)
23	Grease Fitting	130SR-188	(03039930)	*	Grease (8 lb can)	105-8LB	(04264875)
† 24	Gasket, Motor	2235-283	(47502726001)	*	Grease Gun	R000A2-228	(03095015)
†*	Trigger Assy	2135-D93	(80096704)	*	Protective Tool Boot	2235M-BOOT	(47520153001)
25	Trigger	--	--				
26	O-Ring, Trigger	--	--				

* Indicates Not Illustrated.

† Indicates common-wear parts. Maintain stock to reduce downtime.

Parts and Maintenance

When tool life has expired, it is recommended that the tool be disassembled, degreased and parts separated by material for proper recycling.

Tool repair and maintenance should only be carried out by an authorized Service Center.

Refer all communications to the nearest **Ingersoll Rand** office or distributor.

Related Documentation

Manuals can be downloaded from ingersollrandproducts.com

For additional information, refer to:

Product Safety Information Manual 04580916.

Product Information Manual 47517268.



ingersollrandproducts.com
© 2014 Ingersoll Rand

47516157
Edition 1
June 2014