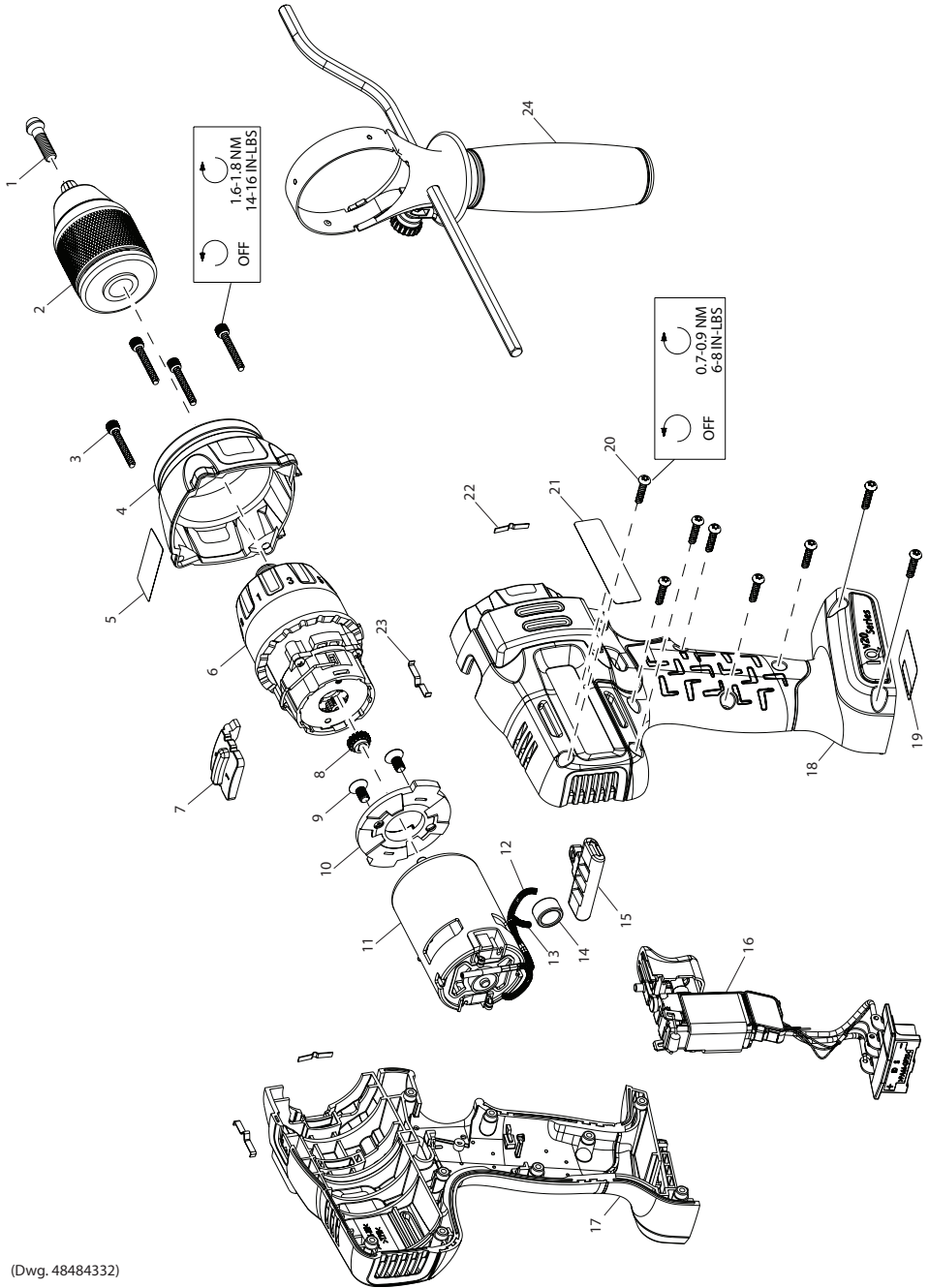


# D5000 Series Cordless Drill/Driver- Exploded View



(Dwg. 48484332)

## D5000 Series Cordless Drill/Driver - Parts List

Item	Part Description	Part Number	(CCN)	Item	Part Description	Part Number	(CCN)
* 1	Chuck Kit	D650S-K255	(45647740)	18	Right Housing	--	--
1	Screw, Chuck	--	--	19	Series Number Label	--	--
2	Chuck	--	--	20	Screw, Housing (9 Required)	--	--
* 3	Torque Selector Cover Kit	D5140-K144	(48499248)	21	Info Label	--	--
3	Screw, Torque Selector Cover (4 Required)	--	--	22	Torque Detents (2 Required)	--	--
4	Torque Selector Cover	--	--	23	Speed Detents (2 Required)	--	--
5	Warning Label	--	--	* 3	Fastener Kit	D5140-K105	(48499271)
6	Gear Box Assembly	D5140-K750	(48499230)	3	Screw, Torque Selector Cover (4 Required)	--	--
7	High/Low Speed Switch	--	--	20	Screw, Housing (9 Required)	--	--
* 8	Electric Motor Kit	D5140-K54	(48499255)	* 5	Label Kit	D5140-K99	(48499289)
8	Pinion	--	--	5	Warning Label	--	--
9	Motor Mount Screw (2 Required)	--	--	19	Series Number Label	--	--
10	Motor Mount Plate	--	--	21	Info Label	--	--
11	Motor	--	--	24	Auxiliary Handle Assembly	D5000- A48	(48484711)
12	Wire, Positive, Motor	--	--	* 25	20V Li-ion Battery Pack		
13	Wire, Negative, Motor	--	--		3.0 Ah	BL2010	(48386791)
14	Ferrite	--	--		5.0 Ah	BL2022	(47515902001)
15	Forward/Reverse Actuator Kit	W7150-K75	(48391312)	* 14	Protective Battery Boot		
16	Switch Kit	D5140-K93	(48499388)		For BL2010, BL2022	BL2010-BOOT	(47510964001)
* 17	Housing Kit	D5140-K40	(48499263)	* 16	Battery Charger	BC1121	(47507879001)
17	Left Housing	--	--	* 26	Carrying Case	D5000-Case	(48498455)
				* 27	Case Latch	W7000-LATCH	(47507275001)

\* Not illustrated

### Parts and Maintenance

When tool life has expired, it is recommended that the tool be disassembled, degreased and parts separated by material for proper recycling.

Tool repair and maintenance should only be carried out by an authorized Service Center.

Refer all communications to the nearest **Ingersoll Rand** office or distributor.

### Related Documentation

Manuals can be downloaded from [ingersollrandproducts.com](http://ingersollrandproducts.com)

For additional information, refer to:

Cordless Drill/Driver Product Safety Information Manual 04581153.

Cordless Drill/Driver Product Information Manual 48489595.