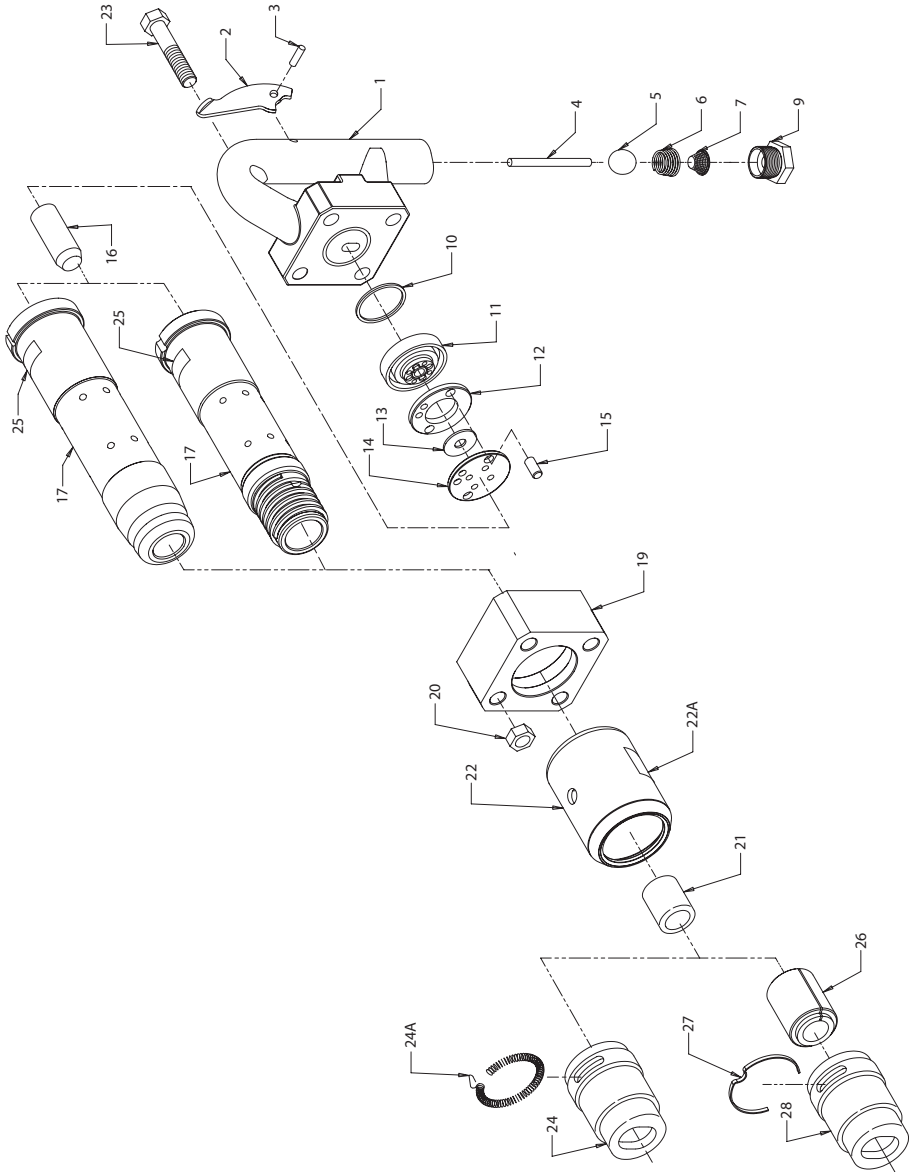


**"D" Series and MDT3-EU Air Percussive Chipping Hammer Exploded Diagram**



(Dwg. TPC655-2)

## "D" Series and MDT3-EU Air Percussive Chipping Hammer Parts List

| Item | Part Description            | Part Number | Item | Part Description                                | Part Number  |
|------|-----------------------------|-------------|------|---|--------------|
| 1    | Grip Handle Assembly        |             | 17   | Barrel  |              |
|      | for 2DA, 3DA, 4DA           | 3DA-A1      |      | for 2DA   | 2DA-6        |
|      | for MDT3-EU                 | 3DA-A1-EU   |      | for 3DA   | 3DA-6        |
| 2    | Throttle Lever              | 3DA-134     |      | for 4DA   | 4DA-6        |
| 3    | Roll Pin                    | C-15        |      | for MDT3-EU (threaded)                          | 3DW-EU-6     |
| 4    | Throttle Valve Plunger      | 3DA-604     | 19   | Collar  | 3DA-A43      |
| 5    | Throttle Valve Ball         | HH-602A     | 20   | Nyloc Nut (4)                                   | 3DA-305      |
| 6    | Throttle Valve Spring       | 3DA-51      | 21   | Nozzle  |              |
| 7    | Air Strainer                | 834-61      |      | .680" round                                     | B01-19B      |
| 9    | Inlet Bushing               |             |      | .580" hex                                       | B01-7B       |
|      | 7/8"-24 (for 2DA, 3DA, 4DA) | 3DA-382     |      | .780" hex (MDT3-EU only)                        | 3DA-330      |
|      | 3/8" for MDT3-EU"           | 3DA-282     | 22   | Exhaust Deflector                               | 3DA-85       |
| 10   | O-Ring                      | 3DA-121     | 22A  | Noise Label (-EU models only)                   | 92679646     |
| 11   | Valve Cap                   | HH-4        | 23   | Bolt (4)  | 3DA-549      |
| 12   | Valve Spacer                | HH-8A       | 24   | Arrow Retainer (Plain Type)                     | HH1-1190     |
| 13   | Valve                       | HH-2A       | 24A  | Lock Spring                                     | HH1-1194     |
| 14   | Valve Seat                  | HH-3        | 25   | Warning Label                                   |              |
| 15   | Dowel Pin (2)               | HH-32       |      | for 2DA, 3DA and 4DA                            | WARNING-2-99 |
| 16   | Piston                      |             |      | for MDT3-EU                                     | EU-99        |
|      | for 2DA                     | HH1-5       | 26   | Buffer Screw Retainer (for -EU models only)     | 3DW-50       |
|      | for 3DA, 4DA and MDT3-EU    | HH4-5       | 27   | Retainer Lock Spring (for -EU models only)      | 24SR-207     |
|      |                             |             | 28   | Retainer (for -EU models only; threaded barrel) | HHW1-300     |

### Parts and Maintenance

When the life of the tool has expired, it is recommended that the tool be disassembled, degreased and parts be separated by material so that they can be recycled.

Tool repair and maintenance should only be carried out by an authorized Service Center.

Refer all communications to the nearest **Ingersoll Rand** Office or Distributor.

### Related Documentation

For additional information refer to:

Air Percussive Chipping Hammer Product Safety Information Manual 04581450.

Air Percussive Chipping Hammer Product Information Manual 16574154.

Air Percussive Chipping Hammer Maintenance Information Manual 16574238.

Manuals can be downloaded from [ingersollrandproducts.com](http://ingersollrandproducts.com)