



80156458
Edition 5
May 2014

Air Grinders, Air Die Grinders, Air Sanders and Air Belt Sanders

G1 Series (Angle)

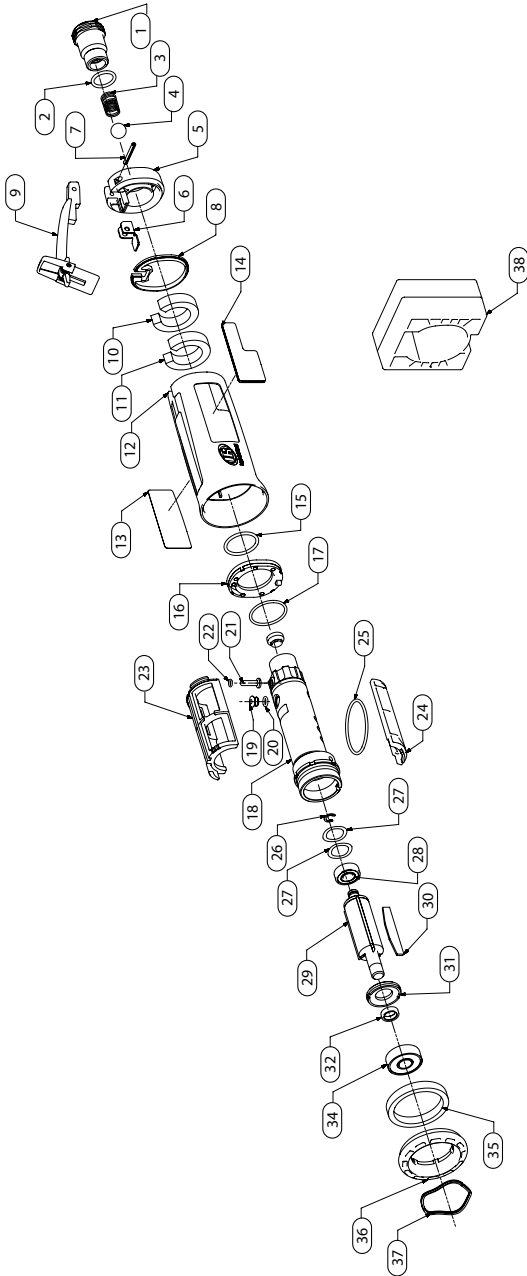
Parts Information



Save These Instructions

IR *Ingersoll Rand*

G1 Series (Angle) Air Grinder, Die Grinder, Sander and Belt Sander Exploded Diagram - Body



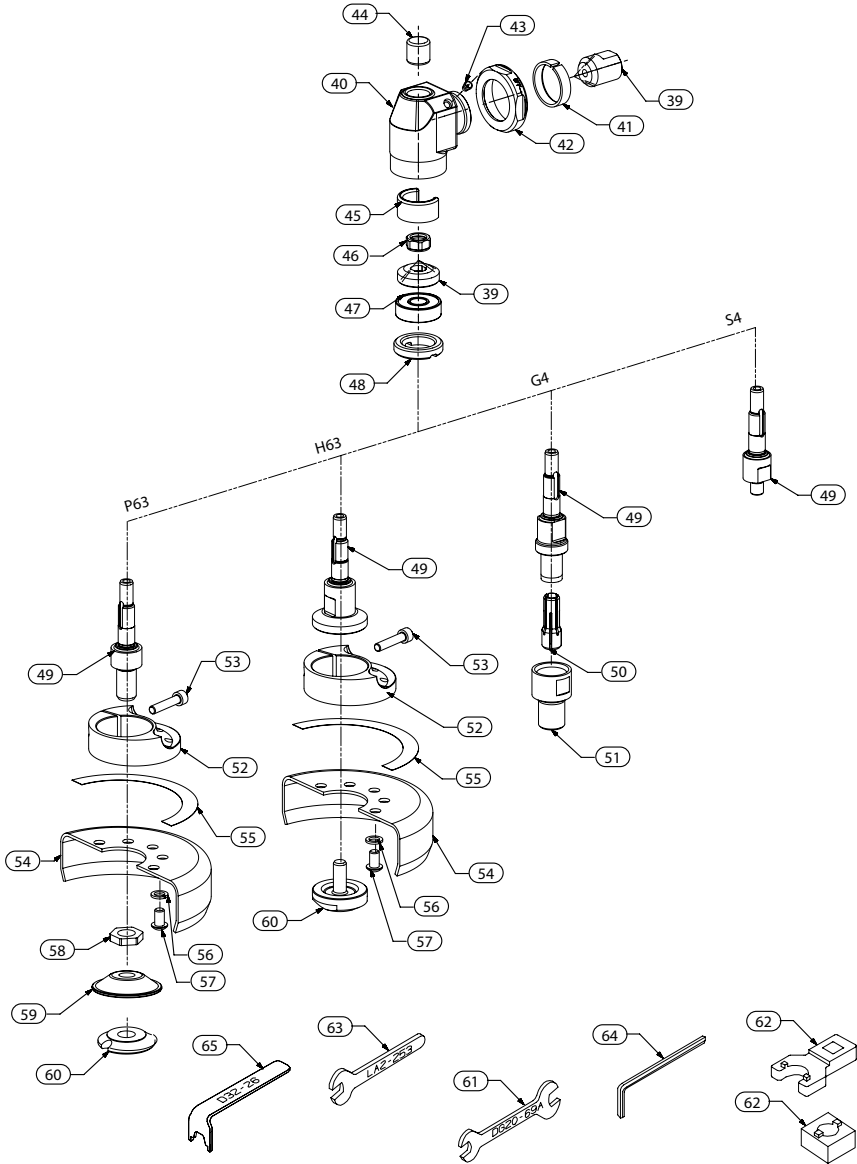
(Dwg. 16579393)

G1 Series (Angle) Air Grinder, Die Grinder, Sander and Belt Sander Parts List - Body

Item	Part Description	Part Number	Item	Part Description	Part Number
Common parts for all G1A Models					
1	Inlet Assembly	AG1-A465	24	Intake Cover Assembly	AG1-A144
*	Inlet Screen	R1602-61	25	Intake Cover O-Ring	WF5182-211
2	Inlet Seal	80199599	26	Rear Rotor Bearing Retainer	LG1-118
3	Ball Valve Spring	39497	27	Rear Rotor Bearing Spacer (2)	DG20-278-10
4	Ball	D04-280	28	Rear Rotor Bearing	DG230-22
5	Rear Exhaust Diffuser	AG1-123	29	Rotor	
6	Lever Support	AG2-89		for 120	AG1-53-5A
7	Throttle Lever Pin	61H-120		for 200	AG1-53-3A
8	Rear Exhaust Diffuser Gasket	AG1-223	30	Vane Pack	AG1-42-5
9	Lever Assembly	AG1-A400	31	Front End Plate	AG1-11
*	Lever	---	32	Front End Plate Spacer	DG10-65-5
*	Lock Spring	---	34	Front Rotor Bearing	LG1-24
*	Lock Pin	---	35	Front Muffler	AG1-311F1
*	Lever Lock	---	36	Front Housing Cap	AG1-202
10	Rear Exhaust Diffuser Muffler	AG1-311A	37	Flange Clamp	LG1-29
11	Rear Housing Muffler	AG1-311B	38	Clamp Tool	AG1-598
12	Motor Housing Assembly	AG1-A40	*	Exhaust Hose Adapter Kit	LG1-K284
13	Warning Label	AG1-99		Adapter	LG1-284
14	Model Label	AG1-301		Hose	3RL-284
15	Rear Cylinder O-Ring	AFH120A-358		Retainer	LG1-67
16	Exhaust Seal	AG1-318	*	Tune Up Kit	
17	Front Cylinder O-Ring	80154206		Includes Part Number (2, 3, 4, 8, 10, 11, 15, 16, 17, 19, 21, 26, 27, 28, 30, 34, 35 and 37)	AG1-TK1
18	Cylinder Assembly	AG1-A3			
*	Throttle Bushing	AG2-781	*	Muffler Kit	
*	Ball Valve Seat	AG1-3035		Includes Part Number (10, 11, and 35)	AG1-MK311
19	Cylinder Plug Assembly	AG1-A34	*	Rotor Kit	
20	Cylinder Plug O-Ring	80154180		for 120	AG1-A53-5A
21	Throttle Pin Assembly	AG1-A161		for 200	AG1-A53-3A
22	Throttle Pin O-Ring	16570806		Includes Part Number (26, 27, 28, 29, 30, 31, 32 and 34)	
23	Flow Guide				
	for 120	AG1-200A-3			
	for 200	AG1-200A-2			

* Not Illustrated

G1 Series (Angle) Air Grinder, Die Grinder, Sander and Belt Sander Exploded Diagram - End



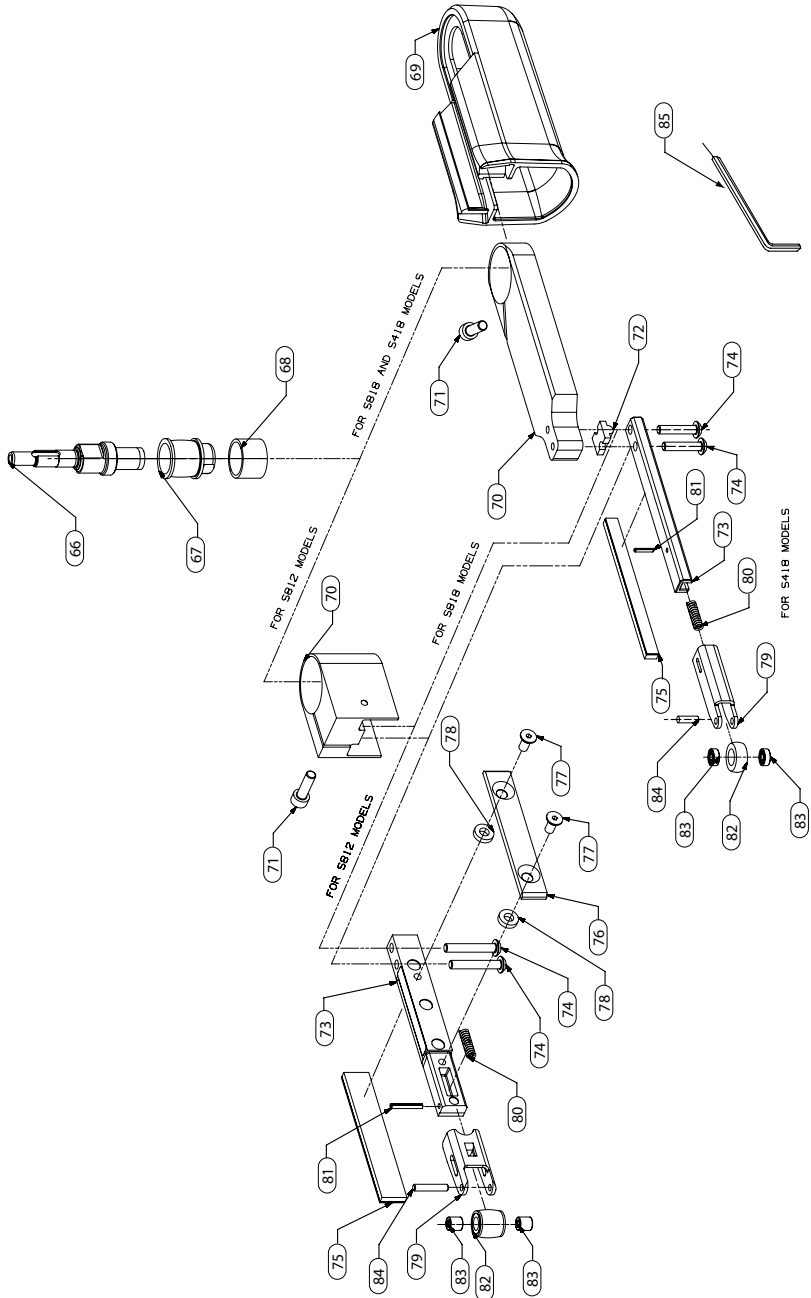
(Dwg. 16579419)

G1 Series (Angle) Air Grinder, Die Grinder, Sander and Belt Sander Parts List - End

Item	Part Description	Part Number	Item	Part Description	Part Number
	Additional Parts for all G1A Models			Additional Parts for models ending in P63 or H63	
39	Bevel Pinion and Bevel Gear (sold only as a matched set)		52	Guard Adapter Assembly	AG1-A710
			53	Guard Adapter Screw	804-634
	for 120	LA1-A552-2.0S	54	Wheel Guard Assembly	AG20-A106-3
	for 200	LA1-A552-1.5A	55	Guard Warning Label	AG2-99
40	Angle Housing Assembly	LA1-A550S	56	Guard Lock Washer (3)	R2-320-10
41	Clamp Spacer	LA1-46	57	Guard Mounting Screws (3)	LA1-667
42	Clamp Nut	LG1-27	58	Flange Spacer - models ending in RP63	LA2-111
43	Grease Fitting	D0F9-879	59	Wheel Flange	
44	Upper Arbor Bearing	AG210-693		for models ending in P63	R0A2D61-337
45	Wick		60	Flange Nut	
	for 120	LA1-560		for models ending in P63	AG21-337A-3
	for 200	LA1-561		for models ending in H63	LA1-388
46	Bevel Gear Nut	AG210-578A	Additional Parts for models ending in S4 and S4M		
47	Lower Arbor Bearing	AG210-24	*	Sanding Pad - optional	
48	Arbor Bearing Cap	AG210-531	*	for 120 (3" diameter)	3-PAD
49	Arbor			for 200 (2" diameter)	2-PAD
	for models ending in G4 and G4M	AG210-4-G4	Accessories for all models		
	for models ending in P63	AG1-6	61	Collet Body/Arbor Wrench	DG20-69A
	for models ending in H63	LA1-103-1	62	Arbor Bearing Cap Wrench	
	for models ending in S4 and S4M	AG210-4-W2		for models ending in H63	LA1-29
Additional Parts for models ending in G4 or G4M				for all other models	AG210-29
50	Collet		63	Clamp Nut Wrench	LA2-253
	for models ending in G4	DG110-700-G4	64	Arbor Wrench - models ending in P63	AG220-340
	for models ending in G4M	DG110-700-6mm	65	Flange Nut Wrench - models ending in P63	D32-26
51	Collet Nut	AG210-699A			

* Not Illustrated

G1 Series (Angle) Air Belt Sander Exploded Diagram - End



G1 Series (Angle) Air Belt Sander Parts List - End

Item	Part Description	Part Number	Item	Part Description	Part Number
	Additional Parts for all G1A Belt Sander Models			Additional Parts for models ending in S812 and S818 only	
*	Belt Sander Assembly		76	Belt Plate	LG1-360
	for models ending in S812	LG1-A350-812	77	Belt Plate Retaining Screw (2)	400-25-74-5
	for models ending in S818	LG1-A350-818	78	Belt Plate Spacer (2)	LG1-361A
	for models ending in S418	LG1-A350-418		Additional Parts for all models	
66	Arbor	AG210-4-G4	79	Yoke	
67	Spindle Cap	LG1-362		for models ending in S812 and S818	LG1-354A
68	Drive Sleeve	LG1-358		for models ending in S418	LG1-354-18-1/4
69	Cover - for models ending in S818 & S418	LG1-900	80	Yoke Spring	LG1-355
70	Guard		81	Yoke Retaining Pin	
	for models ending in S812	LG1-357		for models ending in S812 and S818	D92-152
	for models ending in S818 & S418	LG1-901		for models ending in S418	9DF5846-667
71	Guard Clamp Screw	SRA010A1-68	82	Idler Wheel Assembly	
72	Alignment Block			for models ending in S812 and S818	LG1-A352A
	for models ending in S818 & S418	LG1-902		for models ending in S418	LG1-A352-18-1/4
73	Clevis Assembly		83	Idler Wheel Bearing (2)	
	for models ending in S812 and S818	LG1-A351A		for models ending in S812 and S818	7AH-500
	for models ending in S418	LG1-A351-18-1/4		for models ending in S418	LG1-365
*	Belt Speed Label	LA1-98	84	Idler Wheel Shaft	
74	Clevis Mounting Screw (2)			for models ending in S812 and S818	R31-121
	for models ending in S812 and S418	LG1-634		for models ending in S418	LG1-366
	for models ending in S818	LG1-903	85	Guard Clamp Screw Wrench	4U-478
75	Belt Pad				
	for models ending in S812 and S818	LG1-363			
	for models ending in S418	LG1-364			

* Not Illustrated

Parts and Maintenance

When the life of the tool has expired, it is recommended that the tool be disassembled, degreased and parts be separated by material so that they can be recycled.

Tool repair and maintenance should only be carried out by an authorized Service Center.

Refer all communications to the nearest **Ingersoll Rand** Office or Distributor.

Related Documentation

For additional information refer to:

Air Sander Product Safety Information Manual 04580387.

Air Sander Product Information Manual 80156441.

Air Grinder Product Safety Information Manual 04584959.

Air Grinder Product Information Manual 80156425.

Air Belt Sander Product Safety Information Manual 04584942.

Air Belt Sander Product Information Manual 80156474.

Air Die Grinder Product Safety Information Manual 04580288.

Air Die Grinder Product Information Manual 80156433.

Product Maintenance Information Manual 80234313.

Manuals can be downloaded from ingersollrandproducts.com

ingersollrandproducts.com

© 2014 *Ingersoll Rand*

